



Pressure Switch



visit our website

SQ24 SPST TYPE



CE (need to add anti-dust cover SQA-1130).



CE (need to add anti-dust cover SQA-1130).



CE (need to add anti-dust cover SQA-1130).

TYPE	SQ245 Series			SQ246 Series			SQ24U Series		
Hex length	24mm			24mm			24mm		
Body material	Zinc-Plated Steel ROHS			SUS316			Brass		
Wiring	Screw	Push-on	Spade Terminal	Screw	Push-on	Spade Terminal	Screw	Push-on	Spade Terminal
Contact rating (Max.)	4A/ 50Vdc, 4A/ 250Vac (UL508)			4A/ 50Vdc, 4A/ 250Vac (UL508)			4A/ 50Vdc, 4A/ 250Vac (UL508)		
Response frequency	2Hz			2Hz			2Hz		
Max. Voltage peak	1.5KV (IEC60947-2)			1.5KV (IEC60947-2)			1.5KV (IEC60947-2)		
Electric insulation	100MΩ(IEC60092-54 section3)			100MΩ(IEC60092-54 section3)			100MΩ(IEC60092-54 section3)		
Membrane materials/ Operation temperature	NBR(Standard)	-10~100°C		NBR(Standard)	-10~100°C		NBR(Standard)	-10~100°C	
	VITON	-10~100°C		VITON	-10~100°C		VITON	-10~100°C	
	EPDM	-10~100°C		EPDM	-10~100°C		EPDM	-10~100°C	
	NBR(Low Temp.)	-30~100°C		NBR(Low Temp.)	-30~100°C		NBR(Low Temp.)	-30~100°C	
Pressure range	0.2~99bar			0.2~99bar			0.2~99bar		
Piping selection	M10*1 (TAP 1°) M10*1, M12*1.5 PT1/8", PT1/4" G1/8", G1/4" NPT 1/8", NPT 1/4"			M10*1 (TAP 1°) M10*1, M12*1.5 PT1/8", PT1/4" G1/8", G1/4" NPT 1/8", NPT 1/4"			M10*1 (TAP 1°) M10*1, M12*1.5 PT1/8", PT1/4" G1/8", G1/4" NPT 1/8", NPT 1/4"		
Contact model	NO, NC			NO, NC			NO, NC		
Body protection	IP00 (IEC 60529)			IP00 (IEC 60529)			IP00 (IEC 60529)		
Protection	IP67 (IEC 60529)			IP67 (IEC 60529)			IP67 (IEC 60529)		
Mechanical life	1.5X10 ⁶ cycles (in 50 bar)			1.5X10 ⁶ cycles (in 50 bar)			1.5X10 ⁶ cycles (in 50 bar)		
Screw torque	<0.35Nm			<0.35Nm			<0.35Nm		
Shock resistance	ISO / IEC 17025, Half Sine Wave, Acceleration: 30G@14ms, ±X, ±Y, ±Z axis			ISO / IEC 17025, Half Sine Wave, Acceleration: 30G@14ms, ±X, ±Y, ±Z axis			ISO / IEC 17025, Half Sine Wave, Acceleration: 30G@14ms, ±X, ±Y, ±Z axis		
Vibration resistance	ISO / IEC 17025, Sine Wave, 5-200 Hz, Acceleration: 10G, Displacement: 16 mm, Sweeping Rate: 1 Oct/ min, Test Direction: X, Y, Z axis, Test Time: 1hr for each			ISO / IEC 17025, Sine Wave, 5-200 Hz, Acceleration: 10G, Displacement: 16 mm, Sweeping Rate: 1 Oct/ min, Test Direction: X, Y, Z axis, Test Time: 1hr for each			ISO / IEC 17025, Sine Wave, 5-200 Hz, Acceleration: 10G, Displacement: 16 mm, Sweeping Rate: 1 Oct/ min, Test Direction: X, Y, Z axis, Test Time: 1hr for each		

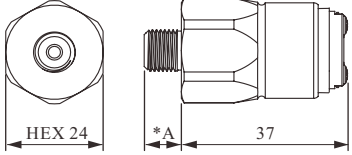
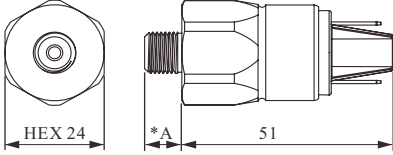
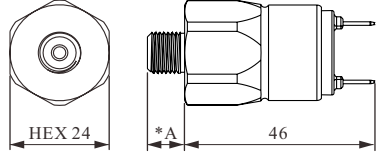
Feature
<ul style="list-style-type: none"> ■ Robust In Any Severe Application ■ Customized Body Housing (steel, Sus316, Brass) ■ Selectable Contact (Gold Contact or Silver Contact) ■ Screw / Push-on Terminal Contact Selectable ■ High Quality And Cost Effective ■ Adjustable Pressure Range Setting

Application
<ul style="list-style-type: none"> ■ Pressure Detection For Automobile Braking System ■ Pressure Control For Piping System ■ Hydraulic Detection For Fire Fighting System ■ Hydraulic Industry ■ Lubrication System ■ Sprinkler System ■ Air Compressor ■ Medical Equipment ■ Tire Manufacturing

ORDER INFORMATION

Product Dimension

SQ245/ 246/ 24U Series

Screw:  **Push-on:**  **Spade:** 

*A 9mm: M10*1 taper, M10, G1/8", PT1/8", NPT 1/8" 12mm: M12*1.5, G1/4", PT1/4", NPT 1/4"

(Unit: mm)

SQ24 Series Field Adjustable Pressure

Pressure range	Tolerance	Connection		
0.2~0.9bar	± 0.1 bar	M10X1 (TAP 1°)	SQ24 □-RS1 □-M1-□-□	
		M10X1	SQ24 □-RS1 □-M0-□-□	
		M12X1.5	SQ24 □-RS1 □-M2-□-□	
		1/8"PT	SQ24 □-RS1 □-1Q-□-□	
		1/4"PT	SQ24 □-RS1 □-2Q-□-□	
		1/8"G	SQ24 □-RS1 □-1V-□-□	
		1/4"G	SQ24 □-RS1 □-2V-□-□	
		1/8"NPT	SQ24 □-RS1 □-1U-□-□	
1~9.9bar	± 0.5 bar	1/4"NPT	SQ24 □-RS1 □-2U-□-□	
		M10X1 (TAP 1°)	SQ24 □-RL1 □-M1-□-□	
		M10X1	SQ24 □-RL1 □-M0-□-□	
		M12X1.5	SQ24 □-RL1 □-M2-□-□	
10~19bar	± 5%	1/8"PT	SQ24 □-RL1 □-1Q-□-□	
		1/4"PT	SQ24 □-RL1 □-2Q-□-□	
		1/8"G	SQ24 □-RL1 □-1V-□-□	
		1/4"G	SQ24 □-RL1 □-2V-□-□	
20~49bar	± 5%	1/8"NPT	SQ24 □-RL1 □-1U-□-□	
		1/4"NPT	SQ24 □-RL1 □-2U-□-□	
		M10X1 (TAP 1°)	SQ24 □-RM1 □-M1-□-□	
		M10X1	SQ24 □-RM1 □-M0-□-□	
		M12X1.5	SQ24 □-RM1 □-M2-□-□	
		1/8"PT	SQ24 □-RM1 □-1Q-□-□	
		1/4"PT	SQ24 □-RM1 □-2Q-□-□	
		1/8"G	SQ24 □-RM1 □-1V-□-□	
50~99bar	± 5%	1/4"G	SQ24 □-RM1 □-2V-□-□	
		1/8"NPT	SQ24 □-RM1 □-1U-□-□	
		1/4"NPT	SQ24 □-RM1 □-2U-□-□	
		M10X1 (TAP 1°)	SQ24 □-RH1 □-M1-□-□	
		M10X1	SQ24 □-RH1 □-M0-□-□	
		M12X1.5	SQ24 □-RH1 □-M2-□-□	
		1/8"PT	SQ24 □-RH1 □-1Q-□-□	
		1/4"PT	SQ24 □-RH1 □-2Q-□-□	
Body Material	5: Zinc-Plated Steel 6: SUS316 U: Brass	1/8"G	SQ24 □-RH1 □-1V-□-□	
		1/4"G	SQ24 □-RH1 □-2V-□-□	
		1/8"NPT	SQ24 □-RH1 □-1U-□-□	
		1/4"NPT	SQ24 □-RH1 □-2U-□-□	
		Contact Form	A: NO B: NC	
		Diaphragm Material	N: NBR D: EPDM V: VITON R: NBR(Low Temp.)	
		Wiring	W: Screw P: Push-on E: Spade Terminal	

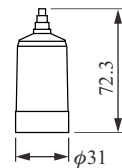
SQ24 Series Fixed Pressure

Connection	
M10X1 (TAP 1°)	SQ□□ □-□□□□ □-M1-□-□
M10X1	SQ□□ □-□□□□ □-M0-□-□
M12X1.5	SQ□□ □-□□□□ □-M2-□-□
1/8"PT	SQ□□ □-□□□□ □-1Q-□-□
1/4"PT	SQ□□ □-□□□□ □-2Q-□-□
1/8"G	SQ□□ □-□□□□ □-1V-□-□
1/4"G	SQ□□ □-□□□□ □-2V-□-□
1/8"NPT	SQ□□ □-□□□□ □-1U-□-□
1/4"NPT	SQ□□ □-□□□□ □-2U-□-□

Body Material	5: Zinc-Plated steel 6: SUS316 U: Brass
Pressure	□□□ = 0 X 2 = 0.2Bar □□□ = 1 X 1 = 1.1Bar □□□ = 0 0 5 = 5Bar □□□ = 0 5 0 = 50Bar (0.2~0.9Bar)Tolerance 0.1Bar (1~9.9Bar)Tolerance 0.5Bar (10~99Bar) Tolerance 5%
Contact Form	A: NO B: NC
Diaphragm Material	N: NBR D: EPDM V: VITON R: NBR(Low Temp.)
Wiring	W: Screw P: Push-on E: Spade Terminal

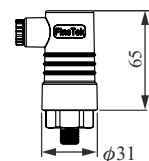
Option:

Body Protect Cover: SQA-1130
Material: NBR
Protection Grade: IP67



Body Protect Cover: SQB-1136
Material: Nylon
Protection Grade: IP67

★ Only SQ24 Push-on Type to use.



To comply with CE, SQ24 series need to add anti-dust cover. (SQA-1130, SQA-1136)

SQ24 HIGH PRESSURE SPST TYPE

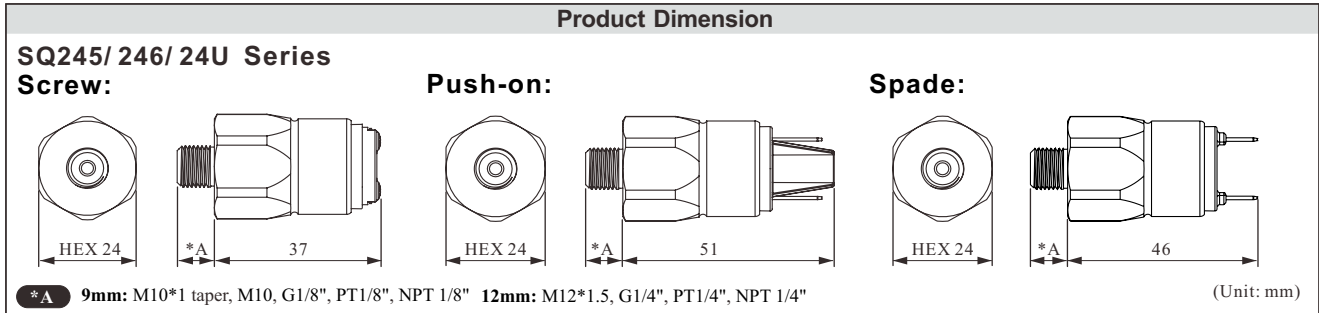


TYPE	SQ245 Series	SQ246 Series	SQ24U Series
Hex Length	24mm	24mm	24mm
Body Material	Zinc-Plated Steel ROHS	SUS316	Brass
Wiring	Screw Push-on Spade Terminal	Screw Push-on Spade Terminal	Screw Push-on Spade Terminal
Contact rating (Max.)	4A/ 50Vdc, 4A/ 250Vac (UL508)	4A/ 50Vdc, 4A/ 250Vac (UL508)	4A/ 50Vdc, 4A/ 250Vac (UL508)
Response Frequency	2Hz	2Hz	2Hz
Max. Voltage Peak	1.5KV (IEC60947-2)	1.5KV (IEC60947-2)	1.5KV (IEC60947-2)
Electric Insulation	100MΩ(IEC60092-54 section3)	100MΩ(IEC60092-54 section3)	100MΩ(IEC60092-54 section3)
Operation Temperature	-10°C ~100°C (IEC 60068-2-2)	-10°C ~100°C (IEC 60068-2-2)	-10°C ~100°C (IEC 60068-2-2)
Pressure Range	100~300bar	100~300bar	100~300bar
Pressure Acting Variation	± 5% full set point range @20°C	± 5% full set point range @20°C	± 5% full set point range @20°C
Piping Selection	M10*1 (TAP 1°) M10*1, M12*1.5 PT1/8", PT1/4" G1/8", G1/4" NPT 1/8", NPT 1/4"	M10*1 (TAP 1°) M10*1, M12*1.5 PT1/8", PT1/4" G1/8", G1/4" NPT 1/8", NPT 1/4"	M10*1 (TAP 1°) M10*1, M12*1.5 PT1/8", PT1/4" G1/8", G1/4" NPT 1/8", NPT 1/4"
Contact Model	NO, NC	NO, NC	NO, NC
Body Protection	IP00 (IEC 60529)	IP00 (IEC 60529)	IP00 (IEC 60529)
Protection	IP67 (IEC 60529)	IP67 (IEC 60529)	IP67 (IEC 60529)
Mechanical Life	1.5X10 ⁶ cycles (in 50 bar)	1.5X10 ⁶ cycles (in 50 bar)	1.5X10 ⁶ cycles (in 50 bar)
Screw Torque	<0.35Nm	<0.35Nm	<0.35Nm
Shock Resistance	ISO / IEC 17025, Half Sine Wave, Acceleration: 30G@14ms, ±X, ±Y, ±Z axis	ISO / IEC 17025, Half Sine Wave, Acceleration: 30G@14ms, ±X, ±Y, ±Z axis	ISO / IEC 17025, Half Sine Wave, Acceleration: 30G@14ms, ±X, ±Y, ±Z axis
Vibration Resistance	ISO / IEC 17025, Sine Wave, 5-200 Hz, Acceleration: 10G, Displacement: 16 mm, Sweeping Rate: 1 Oct/ min, Test Direction: X, Y, Z axis, Test Time: 1hr for each	ISO / IEC 17025, Sine Wave, 5-200 Hz, Acceleration: 10G, Displacement: 16 mm, Sweeping Rate: 1 Oct/ min, Test Direction: X, Y, Z axis, Test Time: 1hr for each	ISO / IEC 17025, Sine Wave, 5-200 Hz, Acceleration: 10G, Displacement: 16 mm, Sweeping Rate: 1 Oct/ min, Test Direction: X, Y, Z axis, Test Time: 1hr for each

Feature
<ul style="list-style-type: none"> ■ Robust In Any Severe Application ■ Customized Body Housing (steel, Sus316, Brass) ■ Selectable Contact (Gold Contact or Silver Contact) ■ Screw / Push-on Terminal Contact Selectable ■ High Quality And Cost Effective ■ Adjustable Pressure Range Setting

Application
<ul style="list-style-type: none"> ■ Pressure Detection For Automobile Braking System ■ Pressure Control For Piping System ■ Hydraulic Detection For Fire Fighting System ■ Hydraulic Industry ■ Lubrication System ■ Sprinkler System ■ Air Compressor ■ Medical Equipment ■ Tire Manufacturing

ORDER INFORMATION

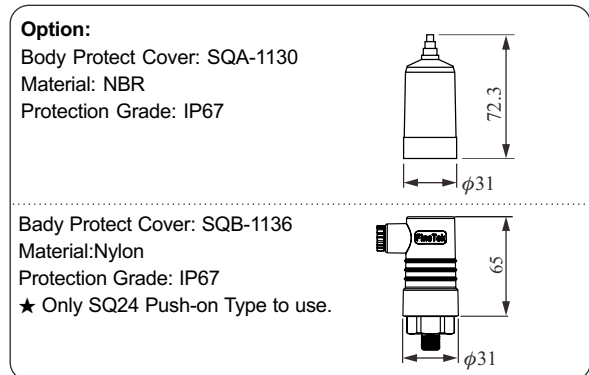


SQ24 Series Field Adjustable Pressure

Pressure range	Tolerance	Connection	
101~300bar	± 5%	M10X1 (TAP 1°)	SQ24 □-RU1 □-M1 -A -□
		M10X1	SQ24 □-RU1 □-M0 -A -□
		M12X1.5	SQ24 □-RU1 □-M2 -A -□
		1/8"PT	SQ24 □-RU1 □-1Q -A -□
		1/4"PT	SQ24 □-RU1 □-2Q -A -□
		1/8"G	SQ24 □-RU1 □-1V -A -□
		1/4"G	SQ24 □-RU1 □-2V -A -□
		1/8"NPT	SQ24 □-RU1 □-1U -A -□
1/4"NPT	SQ24 □-RU1 □-2U -A -□		
Body Material	5: Zinc-Plated Steel 6: SUS316		
Contact Form	A: NO B: NC		
Wiring	W: Screw P: Push-on E: Spade Terminal		

SQ24 Series Fixed Pressure

Connection	
M10X1 (TAP 1°)	SQ□□ □ -□□□□ □-M1 -A -□
M10X1	SQ□□ □ -□□□□ □-M0 -A -□
M12X1.5	SQ□□ □ -□□□□ □-M2 -A -□
1/8"PT	SQ□□ □ -□□□□ □-1Q -A -□
1/4"PT	SQ□□ □ -□□□□ □-2Q -A -□
1/8"G	SQ□□ □ -□□□□ □-1V -A -□
1/4"G	SQ□□ □ -□□□□ □-2V -A -□
1/8"NPT	SQ□□ □ -□□□□ □-1U -A -□
1/4"NPT	SQ□□ □ -□□□□ □-2U -A -□
Body Material	5: Zinc-Plated steel 6: SUS316
Pressure	□□□= 100=100Bar (100~300Bar) Tolerance 5%
Wiring	A: NO B: NC
Contact Form	W: Screw P: Push-on E: Spade Terminal



To comply with CE, SQ24 series need to add anti-dust cover. (SQA-1130, SQA-1136)

SQ27 SPDT TYPE



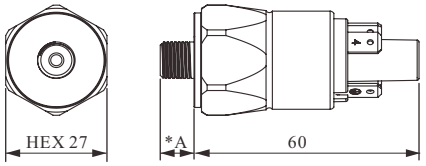
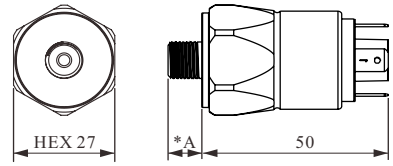
TYPE	SQ275 Series		SQ276 Series		SQ27U Series	
Hex Length	27mm		27mm		27mm	
Body Material	Zinc-Plated Steel		SUS316		Brass	
Wiring	Push-on	Spade Terminal	Push-on	Spade Terminal	Push-on	Spade Terminal
Contact rating (Max.)	4A/ 50Vdc, 4A/ 250Vac (UL508)		2A/ 50Vdc, 4A/ 250Vac (UL508)		2A/ 50Vdc, 4A/ 250Vac (UL508)	
Response Frequency	2Hz		2Hz		2Hz	
Max. Voltage Peak	1.5KV (IEC60947-2)		1.5KV (IEC60947-2)		1.5KV (IEC60947-2)	
Electric Insulation	100MΩ(IEC60092-54 section3)		100MΩ(IEC60092-54 section3)		100MΩ(IEC60092-54 section3)	
Membrane materials/ Operation temperature	NBR(Standard) -10~100°C VITON -10~100°C EPDM -10~100°C NBR(Low Temp.) -30~100°C		NBR(Standard) -10~100°C VITON -10~100°C EPDM -10~100°C NBR(Low Temp.) -30~100°C		NBR(Standard) -10~100°C VITON -10~100°C EPDM -10~100°C NBR(Low Temp.) -30~100°C	
Pressure Range	0.3~100bar		0.3~100bar		0.3~100bar	
Piping Selection	M10*1 (TAP 1°) M10*1, M12*1.5 PT1/8", PT1/4" G1/8", G1/4" NPT 1/8", NPT 1/4"		M10*1 (TAP 1°) M10*1, M12*1.5 PT1/8", PT1/4" G1/8", G1/4" NPT 1/8", NPT 1/4"		M10*1 (TAP 1°) M10*1, M12*1.5 PT1/8", PT1/4" G1/8", G1/4" NPT 1/8", NPT 1/4"	
Contact Model	SPDT		SPDT		SPDT	
Body Protection	IP00 (IEC 60529)		IP00 (IEC 60529)		IP00 (IEC 60529)	
Protection	IP65 (IEC 60529)		IP65 (IEC 60529)		IP65 (IEC 60529)	
Mechanical Life	1.5X10 ⁶ cycles (in 50 bar)		1.5X10 ⁶ cycles (in 50 bar)		1.5X10 ⁶ cycles (in 50 bar)	
Screw Torque	<0.35Nm		<0.35Nm		<0.35Nm	
Shock Resistance	ISO / IEC 17025, Half Sine Wave, Acceleration: 30G@14ms, ±X, ±Y, ±Z axis		ISO / IEC 17025, Half Sine Wave, Acceleration: 30G@14ms, ±X, ±Y, ±Z axis		ISO / IEC 17025, Half Sine Wave, Acceleration: 30G@14ms, ±X, ±Y, ±Z axis	
Vibration Resistance	ISO / IEC 17025, Sine Wave, 5-200 Hz, Acceleration: 10G, Displacement: 16 mm, Sweeping Rate: 1 Oct/ min, Test Direction: X, Y, Z axis, Test Time: 1hr for each		ISO / IEC 17025, Sine Wave, 5-200 Hz, Acceleration: 10G, Displacement: 16 mm, Sweeping Rate: 1 Oct/ min, Test Direction: X, Y, Z axis, Test Time: 1hr for each		ISO / IEC 17025, Sine Wave, 5-200 Hz, Acceleration: 10G, Displacement: 16 mm, Sweeping Rate: 1 Oct/ min, Test Direction: X, Y, Z axis, Test Time: 1hr for each	

Feature
<ul style="list-style-type: none"> ■ Robust In Any Severe Application ■ Customized Body Housing (steel, Sus316, Brass) ■ Selectable Contact (gold Contact Or Silver Contact) ■ Screw / Push-on Terminal Contact Selectable ■ High Quality And Cost Effective ■ Adjustable Pressure Range Setting

Application
<ul style="list-style-type: none"> ■ Pressure Detection For Automobile Braking System ■ Pressure Control For Piping System ■ Hydraulic Detection For Fire Fighting System ■ Hydraulic Industry ■ Lubrication System ■ Sprinkler System ■ Air Compressor ■ Medical Equipment ■ Tire Manufacturing

ORDER INFORMATION

Product Dimension

SQ275/ 276/ 27U Series
Push-on:  **Spade:** 

***A** 9mm: M10*1 taper, M10, G1/8", PT1/8", NPT 1/8" 12mm: M12*1.5, G1/4", PT1/4", NPT 1/4" (Unit: mm)

SQ27 Series Field Adjustable Pressure

Pressure range	Tolerance	Connection	
0.3~0.9bar	± 0.1 bar	M10X1 (TAP 1°)	SQ27 □-RS1 □-M1-□-□
		M10X1	SQ27 □-RS1 □-M0-□-□
		M12X1.5	SQ27 □-RS1 □-M2-□-□
		1/8"PT	SQ27 □-RS1 □-1Q-□-□
		1/4"PT	SQ27 □-RS1 □-2Q-□-□
		1/8"G	SQ27 □-RS1 □-1V-□-□
		1/4"G	SQ27 □-RS1 □-2V-□-□
		1/8"NPT	SQ27 □-RS1 □-1U-□-□
		1/4"NPT	SQ27 □-RS1 □-2U-□-□
1~9.9bar	± 0.5 bar	M10X1 (TAP 1°)	SQ27 □-RL1 □-M1-□-□
		M10X1	SQ27 □-RL1 □-M0-□-□
		M12X1.5	SQ27 □-RL1 □-M2-□-□
		1/8"PT	SQ27 □-RL1 □-1Q-□-□
10~19bar	± 5%	1/4"PT	SQ27 □-RL1 □-2Q-□-□
		1/8"G	SQ27 □-RL1 □-1V-□-□
		1/4"G	SQ27 □-RL1 □-2V-□-□
20~49bar	± 5%	1/8"NPT	SQ27 □-RL1 □-1U-□-□
		1/4"NPT	SQ27 □-RL1 □-2U-□-□
		M10X1 (TAP 1°)	SQ27 □-RM1 □-M1-□-□
		M10X1	SQ27 □-RM1 □-M0-□-□
		M12X1.5	SQ27 □-RM1 □-M2-□-□
50~100bar	± 5%	1/8"PT	SQ27 □-RM1 □-1Q-□-□
		1/4"PT	SQ27 □-RM1 □-2Q-□-□
		1/8"G	SQ27 □-RM1 □-1V-□-□
		1/4"G	SQ27 □-RM1 □-2V-□-□
		1/8"NPT	SQ27 □-RM1 □-1U-□-□
		1/4"NPT	SQ27 □-RM1 □-2U-□-□
		M10X1 (TAP 1°)	SQ27 □-RH1 □-M1-□-□
		M10X1	SQ27 □-RH1 □-M0-□-□

SQ27 Series Fixed Pressure

Connection	
M10X1 (TAP 1°)	SQ27 □-□□□□-M1-□-□
M10X1	SQ27 □-□□□□-M0-□-□
M12X1.5	SQ27 □-□□□□-M2-□-□
1/8"PT	SQ27 □-□□□□-1Q-□-□
1/4"PT	SQ27 □-□□□□-2Q-□-□
1/8"G	SQ27 □-□□□□-1V-□-□
1/4"G	SQ27 □-□□□□-2V-□-□
1/8"NPT	SQ27 □-□□□□-1U-□-□
1/4"NPT	SQ27 □-□□□□-2U-□-□

Body Material	5: Zinc-Plated Steel 6: SUS316 U: Brass
Pressure	□□□□ = 0 X 2 = 0.2Bar □□□□ = 1 X 1 = 1.1Bar □□□□ = 0 0 5 = 5Bar □□□□ = 0 5 0 = 50Bar (0.3~0.9Bar)Tolerance 0.1Bar (1~9.9Bar)Tolerance 0.5Bar (10~100Bar) Tolerance 5%
Contact Form	C: SPDT
Diaphragm Material	N: NBR D: EPDM V: VITON R: NBR(Low Temp.)
Wiring	P: Push-on E: Spade Terminal

Body Material	5: Zinc-Plated Steel 6: SUS316 U: Brass
Contact Form	C: SPDT
Diaphragm Material	N: NBR D: EPDM V: VITON R: NBR(Low Temp.)
Wiring	P: Push-on E: Spade Terminal

SQ27 DIN TYPE



TYPE	SQ275 Series		SQ276 Series		SQ27U Series	
Hex Length	27mm		27mm		27mm	
Body Material	Zinc-Plated Steel ROHS		SUS316		Brass	
Wiring	Push-on	Spade Terminal	Push-on	Spade Terminal	Push-on	Spade Terminal
Contact rating (Max.)	4A/ 50Vdc, 4A/ 250Vac (UL508)		4A/ 50Vdc, 4A/ 250Vac (UL508)		4A/ 50Vdc, 4A/ 250Vac (UL508)	
Response Frequency	2Hz		2Hz		2Hz	
Max. Voltage Peak	1.5KV (IEC60947-2)		1.5KV (IEC60947-2)		1.5KV (IEC60947-2)	
Electric Insulation	100MΩ(IEC60092-54 section3)		100MΩ(IEC60092-54 section3)		100MΩ(IEC60092-54 section3)	
Membrane materials/ Operation temperature	NBR(Standard) -10~100°C VITON -10~100°C EPDM -10~100°C NBR(Low Temp.) -30~100°C		NBR(Standard) -10~100°C VITON -10~100°C EPDM -10~100°C NBR(Low Temp.) -30~100°C		NBR(Standard) -10~100°C VITON -10~100°C EPDM -10~100°C NBR(Low Temp.) -30~100°C	
Pressure Range	0.3~100bar		0.3~100bar		0.3~100bar	
Piping Selection	M10*1 (TAP 1°) M10*1, M12*1.5 PT1/8", PT1/4" G1/8", G1/4" NPT 1/8", NPT 1/4"		M10*1 (TAP 1°) M10*1, M12*1.5 PT1/8", PT1/4" G1/8", G1/4" NPT 1/8", NPT 1/4"		M10*1 (TAP 1°) M10*1, M12*1.5 PT1/8", PT1/4" G1/8", G1/4" NPT 1/8", NPT 1/4"	
Contact Model	SPDT		SPDT		SPDT	
Body Protection	IP00 (IEC 60529)		IP00 (IEC 60529)		IP00 (IEC 60529)	
Protection	IP65 (IEC 60529)		IP65 (IEC 60529)		IP65 (IEC 60529)	
Mechanical Life	1.5X10 ⁶ cycles (in 50 bar)		1.5X10 ⁶ cycles (in 50 bar)		1.5X10 ⁶ cycles (in 50 bar)	
Screw Torque	<0.35Nm		<0.35Nm		<0.35Nm	
Shock Resistance	ISO / IEC 17025, Half Sine Wave, Acceleration: 30G@14ms, ±X, ±Y, ±Z axis		ISO / IEC 17025, Half Sine Wave, Acceleration: 30G@14ms, ±X, ±Y, ±Z axis		ISO / IEC 17025, Half Sine Wave, Acceleration: 30G@14ms, ±X, ±Y, ±Z axis	
Vibration Resistance	ISO / IEC 17025, Sine Wave, 5-200 Hz, Acceleration: 10G, Displacement: 16 mm, Sweeping Rate: 1 Oct/ min, Test Direction: X, Y, Z axis, Test Time: 1hr for each		ISO / IEC 17025, Sine Wave, 5-200 Hz, Acceleration: 10G, Displacement: 16 mm, Sweeping Rate: 1 Oct/ min, Test Direction: X, Y, Z axis, Test Time: 1hr for each		ISO / IEC 17025, Sine Wave, 5-200 Hz, Acceleration: 10G, Displacement: 16 mm, Sweeping Rate: 1 Oct/ min, Test Direction: X, Y, Z axis, Test Time: 1hr for each	

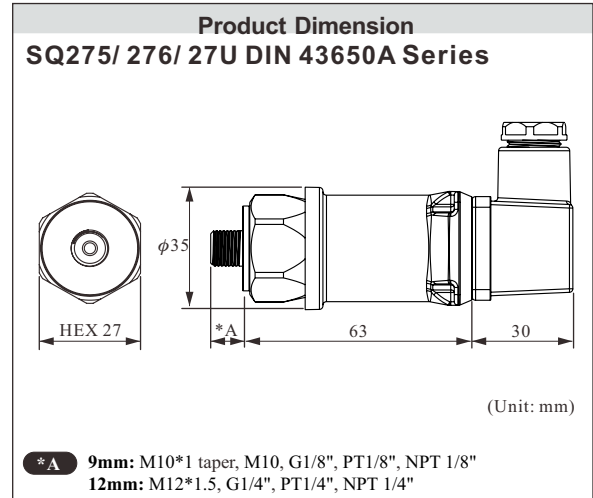
Feature
<ul style="list-style-type: none"> ■ Robust In Any Severe Application ■ Customized Body Housing (steel, Sus316, Brass) ■ Selectable Contact (Gold Contact or Silver Contact) ■ Screw / Push-on Terminal Contact Selectable ■ High Quality And Cost Effective ■ Adjustable Pressure Range Setting

Application
<ul style="list-style-type: none"> ■ Pressure Detection For Automobile Braking System ■ Pressure Control For Piping System ■ Hydraulic Detection For Fire Fighting System ■ Hydraulic Industry ■ Lubrication System ■ Sprinkler System ■ Air Compressor ■ Medical Equipment ■ Tire Manufacturing

ORDER INFORMATION

SQ27 DIN Series Field Adjustable Pressure

Pressure range	Tolerance	Connection	
0.3~0.9bar	± 0.1 bar	M10X1 (TAP 1°)	SQ27 □-RS1 □-M1-□-□
		M10X1	SQ27 □-RS1 □-M0-□-□
		M12X1.5	SQ27 □-RS1 □-M2-□-□
		1/8"PT	SQ27 □-RS1 □-1Q-□-□
		1/4"PT	SQ27 □-RS1 □-2Q-□-□
		1/8"G	SQ27 □-RS1 □-1V-□-□
		1/4"G	SQ27 □-RS1 □-2V-□-□
		1/8"NPT	SQ27 □-RS1 □-1U-□-□
1/4"NPT	SQ27 □-RS1 □-2U-□-□		
1~9.9bar	± 0.5 bar	M10X1 (TAP 1°)	SQ27 □-RL1 □-M1-□-□
		M10X1	SQ27 □-RL1 □-M0-□-□
		M12X1.5	SQ27 □-RL1 □-M2-□-□
		1/8"PT	SQ27 □-RL1 □-1Q-□-□
10~19bar	± 5%	1/4"PT	SQ27 □-RL1 □-2Q-□-□
		1/8"G	SQ27 □-RL1 □-1V-□-□
		1/4"G	SQ27 □-RL1 □-2V-□-□
		1/8"NPT	SQ27 □-RL1 □-1U-□-□
1/4"NPT	SQ27 □-RL1 □-2U-□-□		
20~49bar	± 5%	M10X1 (TAP 1°)	SQ27 □-RM1 □-M1-□-□
		M10X1	SQ27 □-RM1 □-M0-□-□
		M12X1.5	SQ27 □-RM1 □-M2-□-□
		1/8"PT	SQ27 □-RM1 □-1Q-□-□
		1/4"PT	SQ27 □-RM1 □-2Q-□-□
		1/8"G	SQ27 □-RM1 □-1V-□-□
		1/4"G	SQ27 □-RM1 □-2V-□-□
		1/8"NPT	SQ27 □-RM1 □-1U-□-□
1/4"NPT	SQ27 □-RM1 □-2U-□-□		
50~100bar	± 5%	M10X1 (TAP 1°)	SQ27 □-RH1 □-M1-□-□
		M10X1	SQ27 □-RH1 □-M0-□-□
		M12X1.5	SQ27 □-RH1 □-M2-□-□
		1/8"PT	SQ27 □-RH1 □-1Q-□-□
		1/4"PT	SQ27 □-RH1 □-2Q-□-□
		1/8"G	SQ27 □-RH1 □-1V-□-□
1/4"G	SQ27 □-RH1 □-2V-□-□		
1/8"NPT	SQ27 □-RH1 □-1U-□-□		
1/4"NPT	SQ27 □-RH1 □-2U-□-□		
Body Material	5: Zinc-Plated Steel 6: SUS316 U: Brass		
Contact Form	C: SPDT		
Diaphragm Material	N: NBR D: EPDM V: VITON R: NBR(Low Temp.)		
Wiring	C: DIN43650A		



SQ27 DIN Series Fixed Pressure

Connection	
M10X1 (TAP 1°)	SQ27 □-□□□□-M1-□-□
M10X1	SQ27 □-□□□□-M0-□-□
M12X1.5	SQ27 □-□□□□-M2-□-□
1/8"PT	SQ27 □-□□□□-1Q-□-□
1/4"PT	SQ27 □-□□□□-2Q-□-□
1/8"G	SQ27 □-□□□□-1V-□-□
1/4"G	SQ27 □-□□□□-2V-□-□
1/8"NPT	SQ27 □-□□□□-1U-□-□
1/4"NPT	SQ27 □-□□□□-2U-□-□
Body Material	5: Zinc-Plated Steel 6: SUS316 U: Brass
Pressure	□□□ = 0 X 2 = 0.2Bar □□□ = 1 X 1 = 1.1Bar □□□ = 0 0 5 = 5Bar □□□ = 0 5 0 = 50Bar (0.3~0.9Bar) Tolerance 0.1Bar (1~9.9Bar) Tolerance 0.5Bar (10~100Bar) Tolerance 5%
Contact Form	C: SPDT
Diaphragm Material	N: NBR D: EPDM V: VITON R: NBR(Low Temp.)
Wiring	C: DIN43650A

SQ24 WITH EXTENSION SOCKET

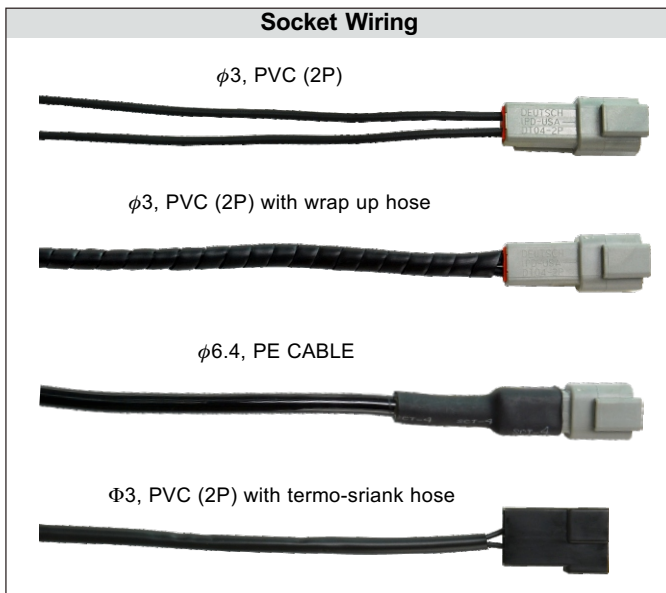
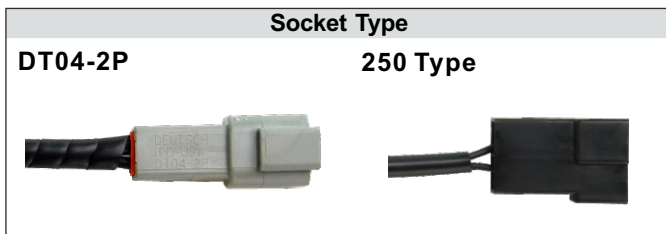
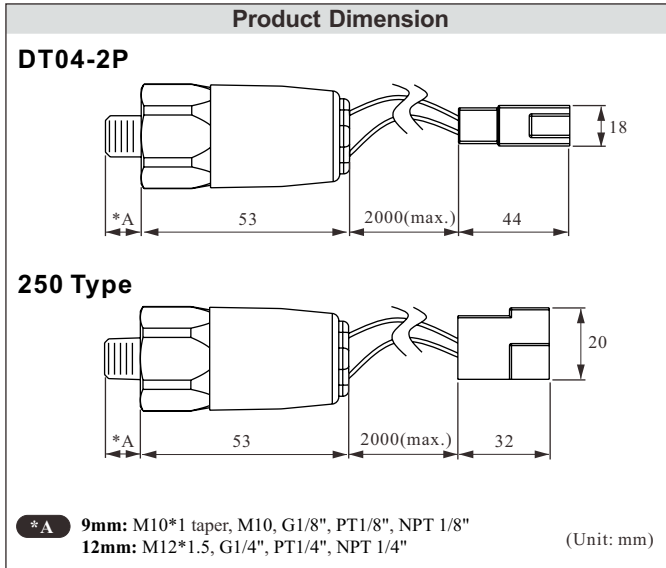


TYPE	SQ245 Series	SQ246 Series	SQ24U Series
Hex Length	24mm	24mm	24mm
Body Material	Zinc-Plated Steel	SUS316	Brass
Wiring	DT04-2P, 250 Type	DT04-2P, 250 Type	DT04-2P, 250 Type
Contact rating (Max.)	4A/ 50Vdc, 4A/ 250Vac (UL508)	4A/ 50Vdc, 4A/ 250Vac (UL508)	4A/ 50Vdc, 4A/ 250Vac (UL508)
Response Frequency	2Hz	2Hz	2Hz
Max. Voltage Peak	1.5KV (IEC60947-2)	1.5KV (IEC60947-2)	1.5KV (IEC60947-2)
Electric Insulation	100MΩ(IEC60092-54 section3)	100MΩ(IEC60092-54 section3)	100MΩ(IEC60092-54 section3)
Membrane materials/ Operation temperature	NBR(Standard) -10~100°C VITON -10~100°C EPDM -10~100°C NBR(Low Temp.) -30~100°C	NBR(Standard) -10~100°C VITON -10~100°C EPDM -10~100°C NBR(Low Temp.) -30~100°C	NBR(Standard) -10~100°C VITON -10~100°C EPDM -10~100°C NBR(Low Temp.) -30~100°C
Pressure Range	0.2~300bar	0.2~300bar	0.2~300bar
Piping Selection	M10*1 (TAP 1°) M10*1, M12*1.5 PT1/8", PT1/4" G1/8", G1/4" NPT 1/8", NPT 1/4"	M10*1 (TAP 1°) M10*1, M12*1.5 PT1/8", PT1/4" G1/8", G1/4" NPT 1/8", NPT 1/4"	M10*1 (TAP 1°) M10*1, M12*1.5 PT1/8", PT1/4" G1/8", G1/4" NPT 1/8", NPT 1/4"
Contact Model	NO, NC	NO, NC	NO, NC
Protection	IP67 (IEC 60529)	IP67 (IEC 60529)	IP67 (IEC 60529)
Mechanical Life	1.5X10 ⁶ cycles (in 50 bar)	1.5X10 ⁶ cycles (in 50 bar)	1.5X10 ⁶ cycles (in 50 bar)
Shock Resistance	ISO / IEC 17025, Half Sine Wave, Acceleration: 30G@14ms, ±X, ±Y, ±Z axis	ISO / IEC 17025, Half Sine Wave, Acceleration: 30G@14ms, ±X, ±Y, ±Z axis	ISO / IEC 17025, Half Sine Wave, Acceleration: 30G@14ms, ±X, ±Y, ±Z axis
Vibration Resistance	ISO / IEC 17025, Sine Wave, 5-200 Hz, Acceleration: 10G, Displacement: 16 mm, Sweeping Rate: 1 Oct/ min, Test Direction: X, Y, Z axis, Test Time: 1hr for each	ISO / IEC 17025, Sine Wave, 5-200 Hz, Acceleration: 10G, Displacement: 16 mm, Sweeping Rate: 1 Oct/ min, Test Direction: X, Y, Z axis, Test Time: 1hr for each	ISO / IEC 17025, Sine Wave, 5-200 Hz, Acceleration: 10G, Displacement: 16 mm, Sweeping Rate: 1 Oct/ min, Test Direction: X, Y, Z axis, Test Time: 1hr for each

Feature
<ul style="list-style-type: none"> ■ Robust In Any Severe Application ■ Customized Body Housing (steel, Sus316, Brass) ■ Selectable Contact (gold Contact Or Silver Contact) ■ Screw / Push-on Terminal Contact Selectable ■ High Quality And Cost Effective ■ Adjustable Pressure Range Setting

Application
<ul style="list-style-type: none"> ■ Pressure Detection For Automobile Braking System ■ Pressure Control For Piping System ■ Hydraulic Detection For Fire Fighting System ■ Hydraulic Industry ■ Lubrication System ■ Sprinkler System ■ Air Compressor ■ Medical Equipment ■ Tire Manufacturing

ORDER INFORMATION



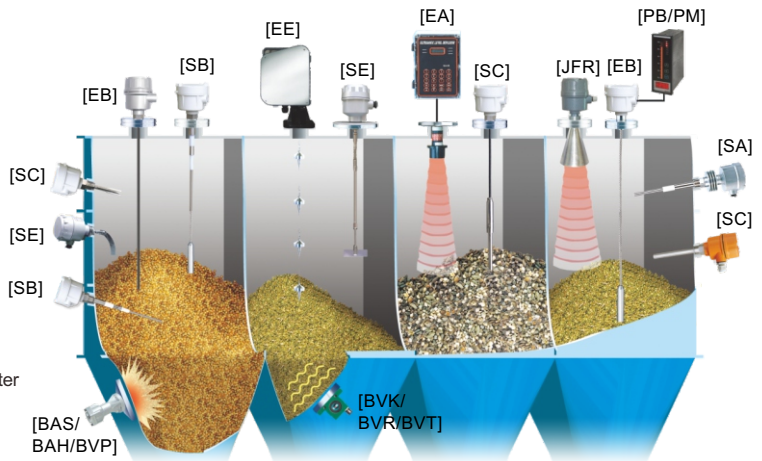
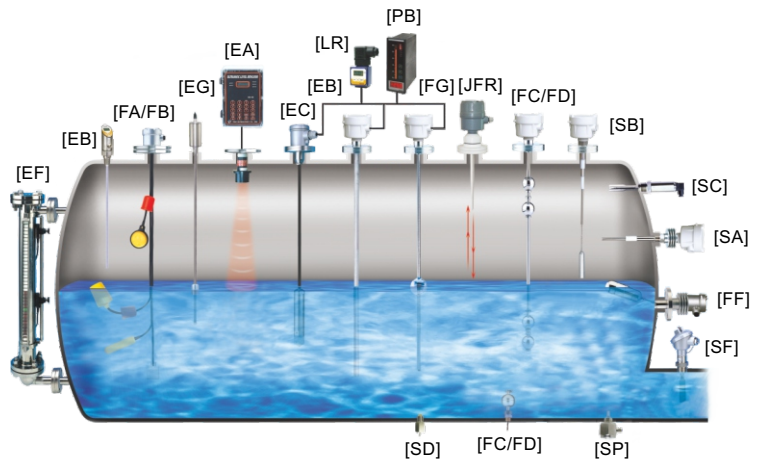
SQ24 Series Fixed Pressure

Connection	
M10X1 (TAP 1°)	SQ24 □ - □ □ □ □ - M1 - □ - □ □
M10X1	SQ24 □ - □ □ □ □ - M0 - □ - □ □
M12X1.5	SQ24 □ - □ □ □ □ - M2 - □ - □ □
1/8"PT	SQ24 □ - □ □ □ □ - 1 Q - □ - □ □
1/4"PT	SQ24 □ - □ □ □ □ - 2 Q - □ - □ □
1/8"G	SQ24 □ - □ □ □ □ - 1 V - □ - □ □
1/4"G	SQ24 □ - □ □ □ □ - 2 V - □ - □ □
1/8"NPT	SQ24 □ - □ □ □ □ - 1 U - □ - □ □
1/4"NPT	SQ24 □ - □ □ □ □ - 2 U - □ - □ □

Body Material	5: Zinc-plating steel 6: SUS316 U: Brass
Pressure	□ □ □ = 0 X 2 = 0.2Bar □ □ □ = 1 X 1 = 1.1Bar □ □ □ = 0 0 5 = 5Bar □ □ □ = 0 5 0 = 50Bar (0.3~0.9Bar) Tolerance 0.1Bar (1~99Bar) Tolerance 5% (100~300Bar) Tolerance 5%
Contact Form	A: NO B: NC
Diaphragm Material	N: NBR D: EPDM V: VITON R: NBR(Low Temp.) A: 100~300Bar(NBR)
Socket Type	D: DT04-2P A: 250 Type
Socket Wiring	A: ϕ 3, PVC (2P) B: ϕ 3, PVC (2P) with wrap up hose C: ϕ 6.4, PE CABLE D: ϕ 3, PVC (2P) with termo-sriank hose

EXAMPLES-OF-TANK-MOUNTING

- [FC/FD] Mini Float/Magnetic Float Level Switch
- [FG] Magnetic Float Level Transmitter
- [FF] Side Mounting Float Switch
- [FA/FB] Cable Float Level Switch
- [SP] Thermal Dispersion Flow Switch
- [SF] Paddle Flow Switch
- [SD] Optical Level Switch
- [SE] Rotary Paddle Level Switch
- [SA] Capacitance Level Switch
- [EC] Pressure Level Transmitter
- [LR] Loop Power Indicator
- [SC] Vibrating Probe Level Switch
- [SC] Tuning Fork Level Switch
- [EB] RF-Capacitance Level Transmitter
- [SB] RF-Capacitance / Admittance Level Switch
- [EG] Magnetostrictive Level Transmitter
- [EF] By-Pass Level Transmitter
- [MEF] Mini By-Pass Level Transmitter
- [EA] Ultrasonic Level Transmitter
- [JFR] FMCW Radar Level Transmitter
- [EE] Electromechanical Level Measuring System
- [ED] Speed Monitor
- [SRT/SRS] Conveyor Belt Misalignment Switch & Safety Cable Pull Switch
- [PB/PM] Microprocessor Based Bargraphic Display Scaling Meter
- [BRD/AE] Valve and Controller for Dust Collector System
- [BAS/BAH/BVP] Air Hammer
- [BVK/BVR/BVT] Pneumatic Vibrator



FineTek Co., Ltd.

No.16, Tzuchiang St., Tucheng Industrial Park, New Taipei City 236, Taiwan.
TEL: 886 2 2269 6789 FAX: 886 2 2268 6682
Email: info@fine-tek.com http://www.fine-tek.com

Taichung Branch TEL: 886 4 2465 2820 FAX: 886 4 2463 9926
Tainan Branch TEL: 886 6 289 0635 FAX: 886 6 289 4073
Kaohsiung Branch TEL: 886 7 333 6968 FAX: 886 7 536 8758

Fine automation (ShangHai) Co., Ltd.

No.451 DuHui Rd, MinHang District, Shanghai, China 201109
TEL: 86 21 6490 7260 FAX: 86 21 6490 7276
Email: info.sh@fine-tek.com

FineTek Pte Ltd.

No. 60 Kaki Bukit Place, #07-06 Eunos Techpark 2
Lobby B, Singapore 415979
TEL: 65 6452 6340 FAX: 65 6734 1878
Email: info.sg@fine-tek.com

FineTeK GmbH

Frankfurter Str. 62, OG D-65428 Ruesselsehim, Germany
TEL: 49 6142 17608 0 FAX: 49 6142 17608 20
E-Mail: info@fine-tek.de

Aplus Finetek Sensor inc.

355 S. Lemon Ave, Suite D, Walnut, CA 91789
Tel : 1 909 598 2488 Fax : 1 909 598 3188
Email: peter.wu@aplusfine.com



Distributor: