

PSW-10-F

Instrument Power Supply
Output 24Vdc, 1.0A

Description.

The PSW-10-F is an instrument quality isolated switch mode power supply, with an output voltage of 24Vdc and up to 1.0A continuously.

Due to advancements in Switch Mode Power Supply technology, special techniques have been developed that make the PSW-10-F both very low noise and high precision. Both line and load regulation is better than 1% over all conditions. These attributes make the PSW-10-F better than most comparable linear power supplies.



Features.

- Power Supply 24Vdc.
- Output Current of 1.0A.
- DC Output OK Signal.
- Mains Input 100~264Vac.
- LED Power On Indication.
- Short Circuit, Voltage & Current Overload Protection.
- Isolated output floats close to earth potential.
- Compact DIN rail mount enclosure.
- Cooling by Free Air Convection.
- Low cost.

Ordering Information.

PSW-10-F Instrument Power Supply: Output: 24Vdc, 1.0A.

PSW-10-F Specifications.

Input voltage Supply:	100~264Vac, 47~63Hz.
	140~370Vdc.
Output:	Voltage 24Vdc.
	Voltage Adjust 21.6~26.4Vdc.
	Current 1.0A max.
	Ripple 150mVp-p.
	Load Regulation $\pm 1.0\%$.
	Line Regulation $\pm 1.0\%$.
	Voltage Tolerance $\pm 1.0\%$.
	Active OK Signal 18~27Vdc, 20mA.
Protection:	Overload 105~160%.
	Over Voltage 27.6~32.4Vdc.
Safety:	Complies With UL508, TUV EN60950-1.
	Isolation Between Input, Output and Earth: 100M Ω , 500Vdc.
	EMC Emission EN55011, EN55022 (CISPR22).
	EMC Immunity EN55024.
Environment:	
	Operating Temperature -20~70°C.
	Storage Temperature -40~85°C.
	Operating Humidity 20~90% RH.
	Storage Humidity 10~95% RH.
Mounting:	35mm symmetrical DIN rail.
Dimensions:	92x22.5x100mm (HxWxD).

Product Liability. This information describes our products. It does not constitute guaranteed properties and is not intended to affirm the suitability of a product for a particular application. Due to ongoing research and development, designs, specifications, and documentation are subject to change without notification. Regrettably, omissions and exceptions cannot be completely ruled out. No liability will be accepted for errors, omissions or amendments to this specification. Technical data are always specified by their average values and are based on Standard Calibration Units at 25C, unless otherwise specified. Each product is subject to the 'Conditions of Sale'.

Warning: These products are not designed for use in, and should not be used for patient connected applications. In any critical installation an independent fail-safe back-up system must always be implemented.



CAUTION: Dangerous Voltages may be present. The PSW-10-F has no user serviceable parts. Protective enclosure only to be opened by qualified personnel. Remove ALL power sources before removing protective cover.

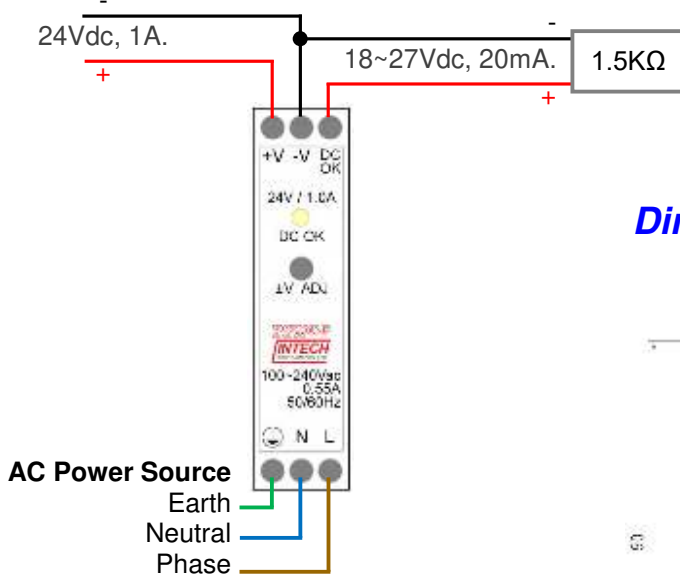


Wiring.

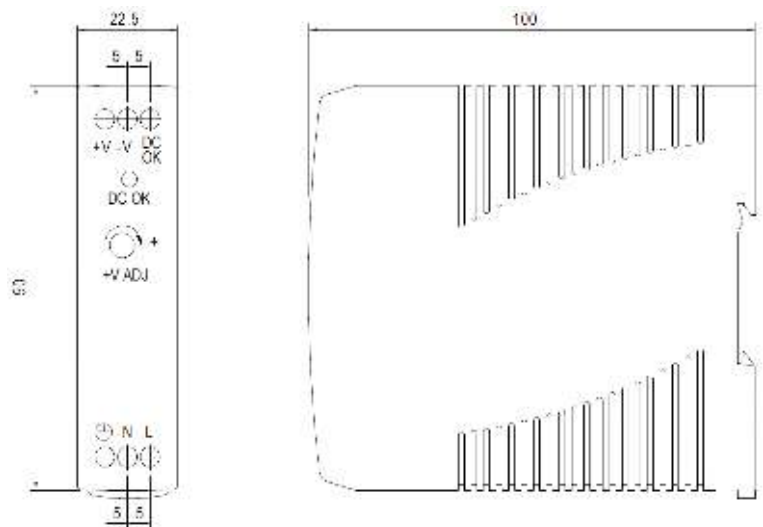
- 1) All power and signals must be de-energised before connecting any wiring.
- 2) A readily accessible disconnect device and a 1A, 250Vac overcurrent device, must be in the power supply wiring.

DC Voltage Output.

Optional Power Supply Monitoring.

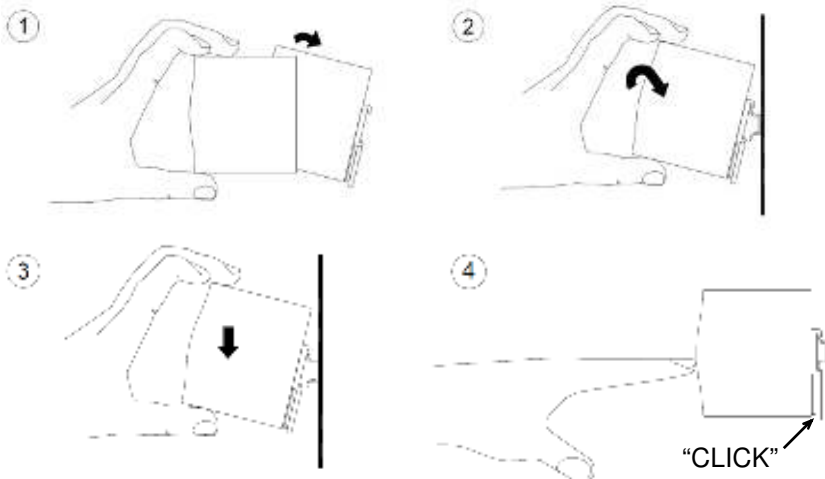


Dimensions (mm).



Mounting.

- 1) Mount in a clean environment.
- 2) Always allow good ventilation clearances: 5mm left and right, 40mm above and 20mm below the unit while in use to prevent it from overheating. Also a 10~15cm clearance must be kept when the adjacent device is a heat source.
- 3) The appropriate mounting orientation for the unit is vertical, the mains input terminals at the bottom and the 24Vdc output terminals on the top. Mounting orientations other than that, such as upside down, horizontal, or table-top mounting is not recommended.
- 4) Do not subject to vibration, excess temperature or humidity variations.
- 5) Avoid mounting near power control equipment.
- 6) Allow 10mm minimum clearance between the PSW-10-F terminals and ANY conductive material.
- 7) To maintain compliance with the EMC Directives the PSW-10-F is to be mounted in a fully enclosed steel fire cabinet. The cabinet must be properly earthed, with appropriate input / output entry points and cabling.



Intech
Instruments

www.intech.co.nz

Christchurch Ph: +64 3 343 0646

Auckland Ph: 09 827 1930

Email: sales@intech.co.nz

PSW-10-F 080622