

JUMO GmbH & Co. KG
Delivery address: Mackenrodtstraße 14
36039 Fulda, Germany
Postal address: 36035 Fulda, Germany
Phone: +49 661 6003-0
Fax: +49 661 6003-607
Email: mail@jumo.net
Internet: www.jumo.net

JUMO UK LTD
JUMO House
Temple Bank, Riverway
Harlow, Essex, CM20 2DY, UK
Phone: +44 1279 63 55 33
Fax: +44 1279 62 50 29
Email: sales@jumo.co.uk
Internet: www.jumo.co.uk

JUMO Process Control, Inc.
6724 Joy Road
East Syracuse, NY 13057, USA
Phone: +1 315 437 5866
Fax: +1 315 437 5860
Email: info.us@jumo.net
Internet: www.jumousa.com



JUMO MIDAS H20 HP

OEM Pressure Transmitter - High Pressure

Applications

- Mobile hydraulics, such as forklifts, harvesters, and construction machinery
- Injection molding machines
- Laundry/cleaning systems
- Welding machines
- Industrial hydraulics

Brief description

The pressure transmitter is used for measuring the pressure of liquid and gaseous media. The product is based on the thin-film measuring principle. The measured pressure is converted into an electrical standard signal of voltage or current and is output via various electrical connections. These include connector variants such as M12, Deutsch DT, Metri-Pack, or AMP. An attached cable and the cable socket are also available.

ECE type approval is available for applications such as those required in mobile hydraulics.

The high degree of resistance to vibration and shock, combined with the high insulation voltage guarantees reliable operation even in difficult conditions. The compact design type of the pressure transmitter provides greater spatial freedom in its use.

Customer benefits

- Impervious to pressure peaks
- Highly resistant to shock and vibration
- Robust product design
- Standard connector variants available
- Can be used in harsh conditions thanks to mechanical and electrical stability
- Welded sensor technology ensures long-term tightness against leaks
- Standardization
- Protection against leaks of oil or other measuring media thanks to high bursting strength
- High accuracy even when used in fluctuating temperature conditions
- Compact design type saves space



Type 401020 with Metri-Pack connector variant



Type 401020 with AMP connector variant

Special features

- Measuring ranges from 100 to 1000 bar
- Temperature ranges from -40 to +125 °C
- Compact design type from 35 mm in length
- Electric strength of AC 500 V
- Protection types up to IP69K
- ECE type approval





JUMO GmbH & Co. KG
 Delivery address: Mackenrodtstraße 14
 36039 Fulda, Germany
 Postal address: 36035 Fulda, Germany
 Phone: +49 661 6003-0
 Fax: +49 661 6003-607
 Email: mail@jumo.net
 Internet: www.jumo.net

JUMO UK LTD
 JUMO House
 Temple Bank, Riverway
 Harlow, Essex, CM20 2DY, UK
 Phone: +44 1279 63 55 33
 Fax: +44 1279 62 50 29
 Email: sales@jumo.co.uk
 Internet: www.jumo.co.uk

JUMO Process Control, Inc.
 6724 Joy Road
 East Syracuse, NY 13057, USA
 Phone: +1 315 437 5866
 Fax: +1 315 437 5860
 Email: info.us@jumo.net
 Internet: www.jumousa.com



Approvals

	Testing agency	Underwriters Laboratories
	Certificate no.	E201387
	Inspection basis	UL 61010-1 (3. Ed.), CAN/CSA-22.2 No. 61010-1 (3. Ed.)
	Valid for	Type 401020/.../061
	Testing agency	NSAIO (National Standards Authority of Ireland)
	Certificate no.	E24 10R-051971
	Inspection basis	UN ECE R10
	Valid for	Type 401020

Technical data

General Information

Reference conditions	DIN 16086 and DIN EN 60770
Sensor	
Measuring principle	Thin-film technology
Admissible load changes	> 10 million
Mounting position	Any
Calibration position	Device upright, process connection at the bottom

Electrical data

Voltage supply U_B^a	
4 to 20 mA, two-wire	DC 10 to 30 V, rated voltage supply DC 24 V
DC 0.5 to 4.5 V, three-wire	DC 4.5 to 5.5 V, rated voltage supply DC 5 V, ratiometric output 10 to 90 % of the voltage supply
DC 0 to 10 V, three-wire	DC 12 to 30 V, rated voltage supply DC 24 V
DC 1 to 5 V, three-wire	DC 9 to 30 V, rated voltage supply DC 24 V
DC 1 to 6 V, three-wire	DC 9 to 30 V, rated voltage supply DC 24 V
Current consumption incl. load	
4 to 20 mA, two-wire	≤ 25 mA
DC 0.5 to 4.5 V, three-wire	≤ 10 mA
DC 0 to 10 V, three-wire	≤ 5 mA
DC 1 to 5 V, three-wire	≤ 5 mA
DC 1 to 6 V, three-wire	≤ 5 mA
Reverse voltage protection	
4 to 20 mA, two-wire	Yes
DC 0.5 to 4.5 V, three-wire	No
DC 0 to 10 V, three-wire	Yes
DC 1 to 5 V, three-wire	Yes
DC 1 to 6 V, three-wire	Yes
Electrical circuit	SELV
Requirements	The device must be equipped with an electrical circuit that meets the requirements of EN 61010-1 with regard to "Limited-energy circuits".

^a Residual ripple: the voltage peaks must not exceed or fall below the specified voltage supply values!

JUMO GmbH & Co. KG
 Delivery address: Mackenrodtstraße 14
 36039 Fulda, Germany
 Postal address: 36035 Fulda, Germany
 Phone: +49 661 6003-0
 Fax: +49 661 6003-607
 Email: mail@jumo.net
 Internet: www.jumo.net

JUMO UK LTD
 JUMO House
 Temple Bank, Riverway
 Harlow, Essex, CM20 2DY, UK
 Phone: +44 1279 63 55 33
 Fax: +44 1279 62 50 29
 Email: sales@jumo.co.uk
 Internet: www.jumo.co.uk

JUMO Process Control, Inc.
 6724 Joy Road
 East Syracuse, NY 13057, USA
 Phone: +1 315 437 5866
 Fax: +1 315 437 5860
 Email: info.us@jumo.net
 Internet: www.jumousa.com



Inputs

Measuring range and accuracy

Measuring range bar	Linearity ^a % MSP ^f	Accuracy at			Long-term stability ^b % MSP per year	Overload capacity ^c bar	Burst pressure bar
		20 °C ^d % MSP	-10 to +85 °C % MSP	-20 to +100 °C ^e % MSP			
0 to 100 bar relative pressure	0.5	0.7	1	1.5	≤ 0.2	200	500
0 to 160 bar relative pressure	0.5	0.7	1	1.5		320	800
0 to 200 bar relative pressure	0.5	0.7	1	1.5		400	1000
0 to 250 bar relative pressure	0.5	0.7	1	1.5		500	1250
0 to 350 bar relative pressure	0.5	0.7	1	1.5		700	1750
0 to 400 bar relative pressure	0.5	0.7	1	1.5		800	2000
0 to 600 bar relative pressure	0.5	0.7	1	1.5		1200	3000
0 to 1000 bar relative pressure	1	1.2	1.5	2		1500	3000

^a Linearity according to limit point setting

^b Reference conditions EN 61298-1

^c All pressure transmitters are vacuum proof.

^d Includes: linearity, hysteresis, repeatability, deviation of measuring range initial value and measuring range end value

^e Includes: linearity, hysteresis, repeatability, deviation of measuring range initial value and measuring range end value, thermal effect on measuring range start and measuring span

^f MSP = measuring span

Outputs

Analog output Current Voltage	4 to 20 mA, two-wire DC 0.5 to 4.5 V, three-wire, ratiometric output 10 to 90 % of the voltage supply DC 0 to 10 V, three-wire DC 1 to 5 V, three-wire DC 1 to 6 V, three-wire
Step response T ₉₀	≤ 3 ms
Burden Current Voltage (burden connected to „0 V/S-“)	R _L ≤ (U _B -10 V) + 0.02 A (Ω) at 4 to 20 mA, two-wire R _L ≥ 20 kΩ at DC 0.5 to 4.5 V, three-wire R _L ≥ 10 kΩ at DC 0 to 10 V, three-wire R _L ≥ 10 kΩ at DC 1 to 5 V, three-wire R _L ≥ 10 kΩ at DC 1 to 6 V, three-wire

JUMO GmbH & Co. KG
 Delivery address: Mackenrodtstraße 14
 36039 Fulda, Germany
 Postal address: 36035 Fulda, Germany
 Phone: +49 661 6003-0
 Fax: +49 661 6003-607
 Email: mail@jumo.net
 Internet: www.jumo.net

JUMO UK LTD
 JUMO House
 Temple Bank, Riverway
 Harlow, Essex, CM20 2DY, UK
 Phone: +44 1279 63 55 33
 Fax: +44 1279 62 50 29
 Email: sales@jumo.co.uk
 Internet: www.jumo.co.uk

JUMO Process Control, Inc.
 6724 Joy Road
 East Syracuse, NY 13057, USA
 Phone: +1 315 437 5866
 Fax: +1 315 437 5860
 Email: info.us@jumo.net
 Internet: www.jumousa.com



Environmental influences

Medium temperatures for electrical connection	
Attached cable	-40 to +125 °C
M12 plug connector	-40 to +125 °C
Metri-Pack	-40 to +125 °C
Line socket	-40 to +125 °C
AMP Superseal	-40 to +125 °C
Deutsch DT04	-40 to +125 °C
Ambient temperatures for electrical connection	
Attached cable	-30 to +100 °C At ambient temperature of -30 °C restricted function; only use when stationary, risk of cable break
M12 plug connector	-40 to +100 °C
Metri-Pack	-40 to +100 °C
Line socket	-40 to +100 °C
AMP Superseal	-40 to +100 °C
Deutsch DT04	-40 to +100 °C
Storage temperatures for electrical connection	
Attached cable	-30 to +100 °C
M12 plug connector	-40 to +100 °C
Metri-Pack	-40 to +100 °C
Line socket	-40 to +100 °C
AMP Superseal	-40 to +100 °C
Deutsch DT04	-40 to +100 °C
Admissible humidity	
Operation	100 % rel. humidity including condensation on the device outer case
Storage	90 % rel. humidity without condensation
Admissible mechanical load	IEC 60068-2-6, IEC 60068-2-27
Vibration resistance	20 g at 10 to 2000 Hz
Shock resistance	50 g for 11 ms, 500 g for 1 ms
Electromagnetic compatibility (EMC)	DIN EN 61326-2-3:2022, UN ECE R10
Interference emission	Class A ^a
Interference immunity	Industrial requirement
Insulation voltage	AC 500 V
Protection type for electrical connection	DIN EN 60529
Attached cable	IP67/69K
M12 plug connector	IP67
Metri-Pack	IP67
Line socket	IP65
AMP Superseal	IP67
Deutsch DT04	IP67

^a The product is only suitable for industrial use.

JUMO GmbH & Co. KG
 Delivery address: Mackenrodtstraße 14
 36039 Fulda, Germany
 Postal address: 36035 Fulda, Germany
 Phone: +49 661 6003-0
 Fax: +49 661 6003-607
 Email: mail@jumo.net
 Internet: www.jumo.net

JUMO UK LTD
 JUMO House
 Temple Bank, Riverway
 Harlow, Essex, CM20 2DY, UK
 Phone: +44 1279 63 55 33
 Fax: +44 1279 62 50 29
 Email: sales@jumo.co.uk
 Internet: www.jumo.co.uk

JUMO Process Control, Inc.
 6724 Joy Road
 East Syracuse, NY 13057, USA
 Phone: +1 315 437 5866
 Fax: +1 315 437 5860
 Email: info.us@jumo.net
 Internet: www.jumousa.com



Mechanical features

Material	
Process connection	Stainless steel 304 ^a
Membrane	Stainless steel 630
Housing	Stainless steel 304
Attached cable	PBT-GF30, PVC, PE
M12 plug connector	PBT-GF30
Metri-Pack	PBT-GF30
Line socket	PBT-GF30, PA, silicone
Deutsch DT04	PBT-GF30
AMP Superseal	PBT-GF30
Weight	55 g with process connection G 1/4" and M12 plug connector

^a Process transmitters with process connections G 1/4" and 7/16-20 UNF-2A are supplied with an FKM seal. Ensure the medium durability of the seal material!

JUMO GmbH & Co. KG
 Delivery address: Mackenrodtstraße 14
 36039 Fulda, Germany
 Postal address: 36035 Fulda, Germany
 Phone: +49 661 6003-0
 Fax: +49 661 6003-607
 Email: mail@jumo.net
 Internet: www.jumo.net

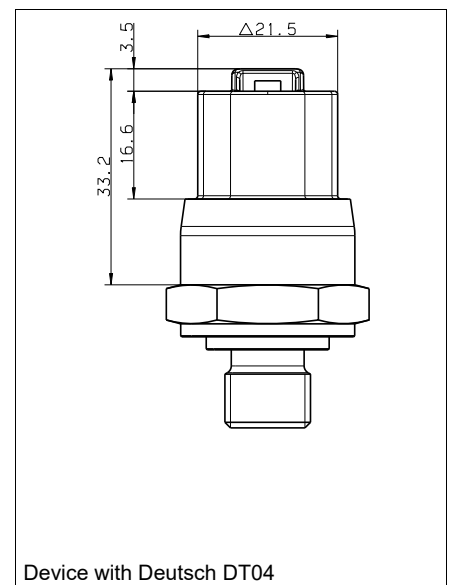
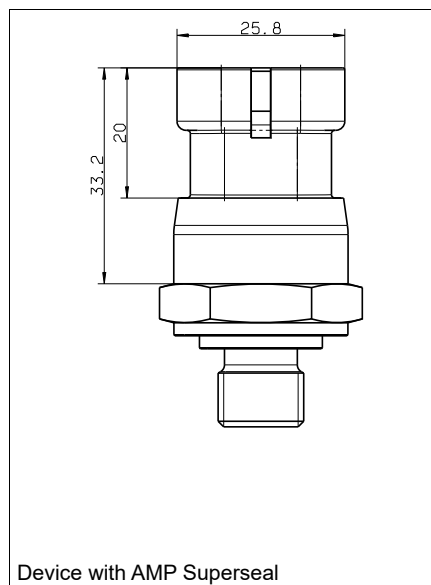
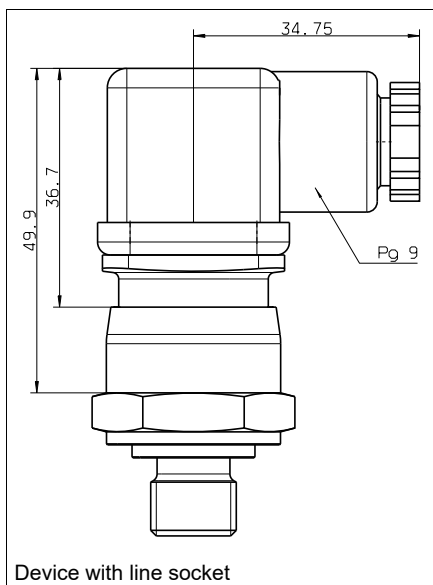
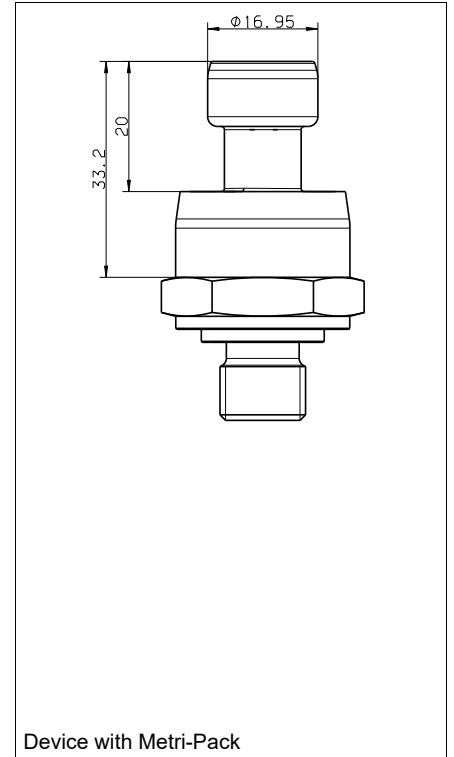
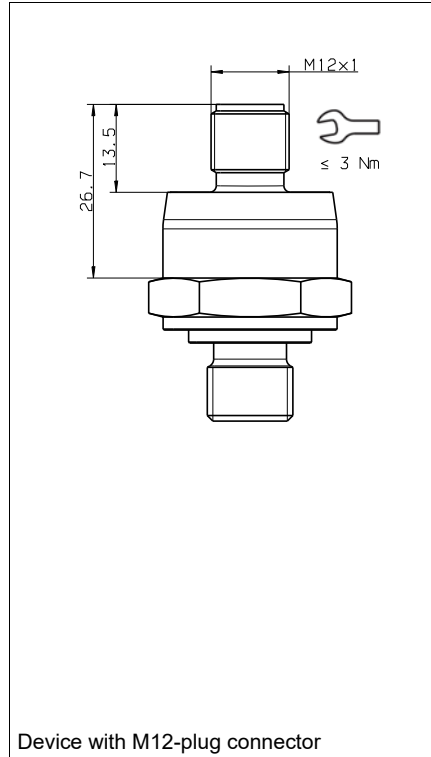
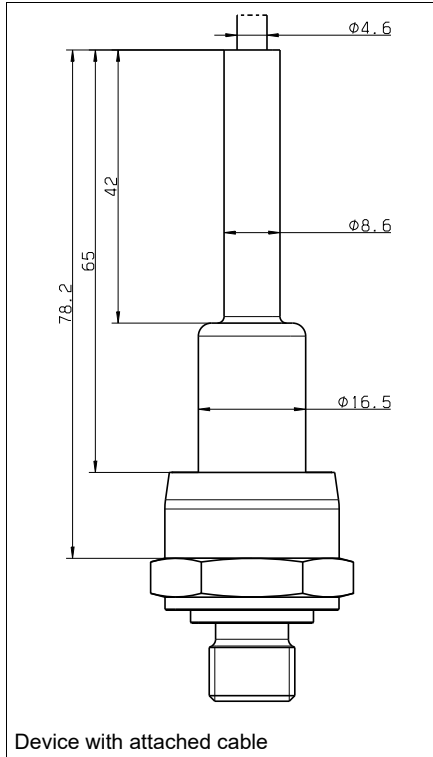
JUMO UK LTD
 JUMO House
 Temple Bank, Riverway
 Harlow, Essex, CM20 2DY, UK
 Phone: +44 1279 63 55 33
 Fax: +44 1279 62 50 29
 Email: sales@jumo.co.uk
 Internet: www.jumo.co.uk

JUMO Process Control, Inc.
 6724 Joy Road
 East Syracuse, NY 13057, USA
 Phone: +1 315 437 5866
 Fax: +1 315 437 5860
 Email: info.us@jumo.net
 Internet: www.jumousa.com



Dimensions

Device



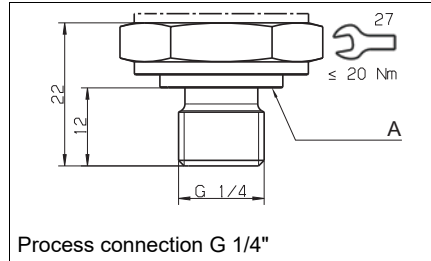
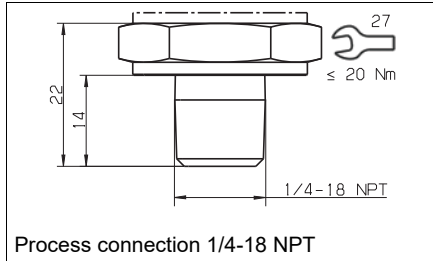
JUMO GmbH & Co. KG
 Delivery address: Mackenrodtstraße 14
 36039 Fulda, Germany
 Postal address: 36035 Fulda, Germany
 Phone: +49 661 6003-0
 Fax: +49 661 6003-607
 Email: mail@jumo.net
 Internet: www.jumo.net

JUMO UK LTD
 JUMO House
 Temple Bank, Riverway
 Harlow, Essex, CM20 2DY, UK
 Phone: +44 1279 63 55 33
 Fax: +44 1279 62 50 29
 Email: sales@jumo.co.uk
 Internet: www.jumo.co.uk

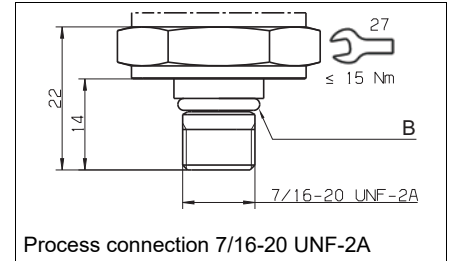
JUMO Process Control, Inc.
 6724 Joy Road
 East Syracuse, NY 13057, USA
 Phone: +1 315 437 5866
 Fax: +1 315 437 5860
 Email: info.us@jumo.net
 Internet: www.jumousa.com



Process connections



A Profile seal G 1/4"



B O-ring

JUMO GmbH & Co. KG
 Delivery address: Mackenrodtstraße 14
 36039 Fulda, Germany
 Postal address: 36035 Fulda, Germany
 Phone: +49 661 6003-0
 Fax: +49 661 6003-607
 Email: mail@jumo.net
 Internet: www.jumo.net

JUMO UK LTD
 JUMO House
 Temple Bank, Riverway
 Harlow, Essex, CM20 2DY, UK
 Phone: +44 1279 63 55 33
 Fax: +44 1279 62 50 29
 Email: sales@jumo.co.uk
 Internet: www.jumo.co.uk

JUMO Process Control, Inc.
 6724 Joy Road
 East Syracuse, NY 13057, USA
 Phone: +1 315 437 5866
 Fax: +1 315 437 5860
 Email: info.us@jumo.net
 Internet: www.jumousa.com



Connection elements

The connection elements in the data sheet provide information on product selection.

For the electrical connection, only use the installation instructions or the operating manual.

Attached cable	M12 plug connector	Metri-Pack	Line socket	AMP Super-seal	Deutsch DT04

Terminal assignment

Designation	Description	Assignment ^b					
4 to 20 mA, two-wire, voltage supply DC 10 to 30 V	U _B /S+ 0 V/S-	WH (White)	1	B	1	3	A
		BN (Brown)	3	A	2	1	B
DC 0.5 to 4.5 V, ratiometric, voltage supply DC 4.5 to 5.5 V, ratiometric output 10 to 90 % of the voltage supply	U _B 0 V/S- S+	WH (White)	1	B	1	3	A
		BN (Brown)	2	A	2	1	B
		GN (Green)	3	C	3	2	C
DC 0 to 10 V, three-wire, voltage supply DC 12 to 30 V	U _B 0 V/S- S+	WH (White)	1	B	1	3	A
		BN (Brown)	2	A	2	1	B
		GN (Green)	3	C	3	2	C
DC 1 to 5 V, three-wire DC 1 to 6 V, three-wire, voltage supply DC 9 to 30 V	U _B 0 V/S- S+	WH (White)	1	B	1	3	A
		BN (Brown)	2	A	2	1	B
		GN (Green)	3	C	3	2	C
Functional bonding conductor FB ^a			4	C ^b		2 ^c	C ^c

^a The pressure transmitter has to be connected to the potential equalization system of the plant via the electrical connection or process connection.

^b Only available for two-wire.

JUMO GmbH & Co. KG

Delivery address: Mackenrodtstraße 14
36039 Fulda, Germany
Postal address: 36035 Fulda, Germany
Phone: +49 661 6003-0
Fax: +49 661 6003-607
Email: mail@jumo.net
Internet: www.jumo.net

JUMO UK LTD

JUMO House
Temple Bank, Riverway
Harlow, Essex, CM20 2DY, UK
Phone: +44 1279 63 55 33
Fax: +44 1279 62 50 29
Email: sales@jumo.co.uk
Internet: www.jumo.co.uk

JUMO Process Control, Inc.

6724 Joy Road
East Syracuse, NY 13057, USA
Phone: +1 315 437 5866
Fax: +1 315 437 5860
Email: info.us@jumo.net
Internet: www.jumousa.com



Accessories

Designation	Part no.
Line socket, 4-pole, M12 × 1, straight, length 2 m	00404585
Line socket, 4-pole, M12 × 1, angled, length 2 m	00409334
Line socket, 4-pole, M12 × 1, with control cable, 5 m	00512341