

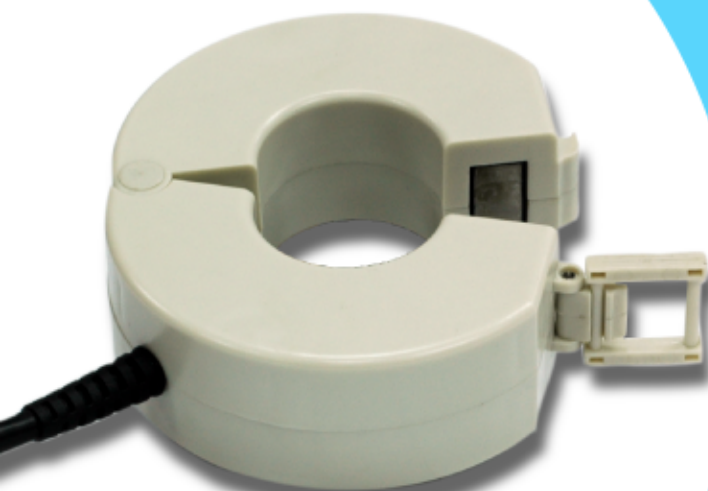


HSIANG CHENG

# CURRENT TRANSFORMERS

## MODEL C6A (600/5A)

## C6B (600/100mA)

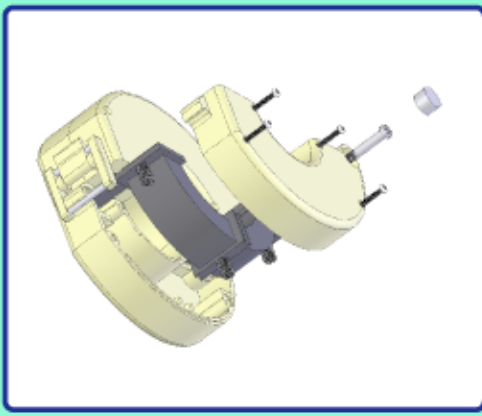


### FEATURES

- Conforms to BSEN 60044-1/ IEC60044-1
- Split-core transformer
- Clip on feature for easy installation
- Install without disconnecting the cable circuits
- Dielectric strength and Non-flammable material
- Total isolation based on IEC 60044-1
- Rated Primary Current (Amp.) (50/60Hz): 600A
- Rated Secondary Current (Amp) (50/60Hz):  
5A (C6A) / 100mA (C6B)

- Accuracy Class: 1
- Dielectric Withstanding Voltage(Hi-pot): 3000 Vrms/min
- Rated output: 5VA/cos  $\phi$  = 0.8
- Operating temp.:  
 $-20^{\circ}\text{C} < T_c < +60^{\circ}\text{C}$
- Insulation resistance:  
100 Mohm min



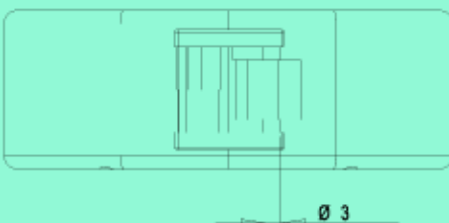
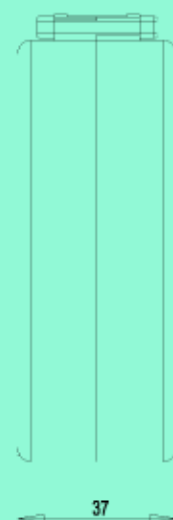
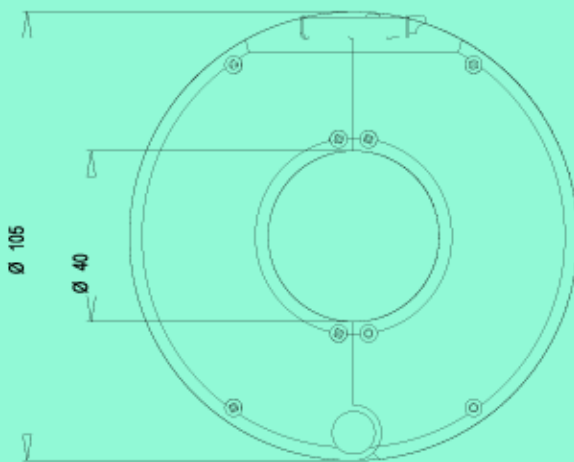


## SPECIFICATIONS

- Terminals: 2\*1.5 mm<sup>2</sup> Copper network shielding cable
- Tolerance:  $\pm 0.5$
- This C6A current transformer is designed for operation line to line system. They are also able to operate for line to ground, or line to neutral at reduced voltage.
- The core and coil assembly is encased in a thermoplastic shell and filled with resin.
- This C6A current transformer is having stiff plastic case which is the insulated and fire retarded material. No metallic parts are exposed at the secondary terminals.
- The C6A is waterproof with rubber grommet to take out 2 wire leads for at least 1-meter length.

Percentage of rated current	5%	20%	100%	120%
Current(ratio) error(%)	$\pm 0.75$	$\pm 0.35$	$\pm 0.2$	$\pm 0.2$
Phase displacement (')	$\pm 30$	$\pm 15$	$\pm 10$	$\pm 10$

Error		I/O			
		5 %	20 %	100 %	120 %
1	f (%)	-0.43	-0.4	-0.21	-0.185
	$\delta$ (')	72.3	70.8	68.1	67



### HSIANG CHENG ELECTRIC CORP.

4F., No.11, Lane 235, Baoqiao Road.,  
Xindian City, Taipei County, Taiwan (R.O.C.)

TEL: 886-2-29175865 FAX: 886-2-29173946

E-mail: expo.sales@hc.com.tw

http://www.hc.com.tw