

# PRESSURE SWITCHES

## SQ27 DIN TYPE



TYPE	SQ275 Series	SQ276 Series	SQ27U Series
<b>Hex Length</b>	27mm	27mm	27mm
<b>Body Material</b>	Zinc-Plated Steel ROHS	SUS316	Brass
<b>Contact rating (Max.)</b>	2A/ 50Vdc, 4A/ 250Vac	2A/ 50Vdc, 4A/ 250Vac	2A/ 50Vdc, 4A/ 250Vac
<b>Response Frequency</b>	2Hz	2Hz	2Hz
<b>Max. Voltage Peak</b>	1.5KV (IEC60947-2)	1.5KV (IEC60947-2)	1.5KV (IEC60947-2)
<b>Electric Insulation</b>	100MΩ(IEC60092-54 section3)	100MΩ(IEC60092-54 section3)	100MΩ(IEC60092-54 section3)
<b>Membrane materials/ Operation temperature</b>	NBR(Standard) -10~100°C VITON -10~100°C EPDM -10~100°C NBR(Low Temp.) -30~100°C VITON(Low Temp.) -30~100°C EPDM(Low Temp.) -30~100°C	NBR(Standard) -10~100°C VITON -10~100°C EPDM -10~100°C NBR(Low Temp.) -30~100°C VITON(Low Temp.) -30~100°C EPDM(Low Temp.) -30~100°C	NBR(Standard) -10~100°C VITON -10~100°C EPDM -10~100°C NBR(Low Temp.) -30~100°C VITON(Low Temp.) -30~100°C EPDM(Low Temp.) -30~100°C
<b>Pressure Range</b>	0.3~100bar (≤20bar with UL certification)	0.3~100bar (≤20bar with UL certification)	0.3~100bar (≤20bar with UL certification)
<b>Piping Selection</b>	M10*1 (taper) M10*1, M12*1.5 PT1/8", PT1/4" G1/8", G1/4" NPT 1/8", NPT 1/4"	M10*1 (taper) M10*1, M12*1.5 PT1/8", PT1/4" G1/8", G1/4" NPT 1/8", NPT 1/4"	M10*1 (taper) M10*1, M12*1.5 PT1/8", PT1/4" G1/8", G1/4" NPT 1/8", NPT 1/4"
<b>Contact Model</b>	SPDT	SPDT	SPDT
<b>Protection</b>	IP65 ( IEC 60529)	IP65 ( IEC 60529)	IP65 ( IEC 60529)
<b>Mechanical Life</b>	1.5X10 <sup>6</sup> cycles (in 50 bar)	1.5X10 <sup>6</sup> cycles (in 50 bar)	1.5X10 <sup>6</sup> cycles (in 50 bar)
<b>Screw Torque</b>	<0.35Nm	<0.35Nm	<0.35Nm
<b>Shock Resistance</b>	ISO / IEC 17025, Half Sine Wave, Acceleration: 30G@14ms, ±X, ±Y, ±Z axis	ISO / IEC 17025, Half Sine Wave, Acceleration: 30G@14ms, ±X, ±Y, ±Z axis	ISO / IEC 17025, Half Sine Wave, Acceleration: 30G@14ms, ±X, ±Y, ±Z axis
<b>Vibration Resistance</b>	ISO / IEC 17025, Sine Wave, 5-200 Hz, Acceleration: 10G, Displacement: 16 mm, Sweeping Rate: 1 Oct/ min, Test Direction: X, Y, Z axis, Test Time: 1hr for each	ISO / IEC 17025, Sine Wave, 5-200 Hz, Acceleration: 10G, Displacement: 16 mm, Sweeping Rate: 1 Oct/ min, Test Direction: X, Y, Z axis, Test Time: 1hr for each	ISO / IEC 17025, Sine Wave, 5-200 Hz, Acceleration: 10G, Displacement: 16 mm, Sweeping Rate: 1 Oct/ min, Test Direction: X, Y, Z axis, Test Time: 1hr for each

### Feature

- Robust In Any Severe Application
- Customized Body Housing  
(steel, Sus316, Brass)
- Selectable Contact  
(Gold Contact or Silver Contact)
- Screw / Push-on Terminal Contact Selectable
- High Quality And Cost Effective
- Adjustable Pressure Range Setting

### Application

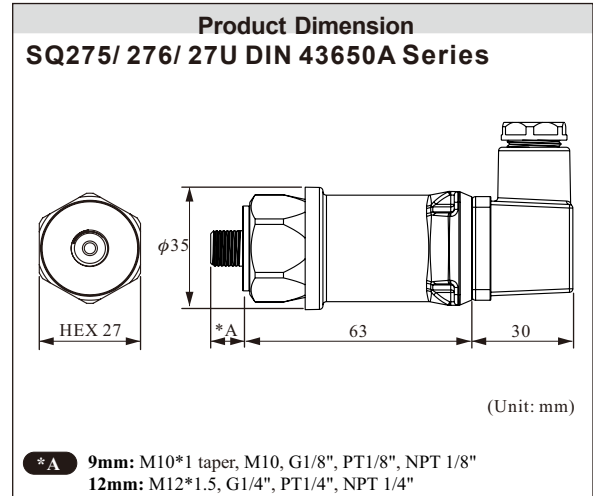
- Pressure Detection For Automobile Braking System
- Pressure Control For Piping System
- Hydraulic Detection For Fire Fighting System
- Hydraulic Industry
- Lubrication System
- Sprinkler System
- Air Compressor
- Medical Equipment
- Tire Manufacturing

# ORDER INFORMATION

## SQ27 DIN Series Field Adjustable Pressure

※ ≤20bar with UL certification

Pressure range	Tolerance	Connection	
0.3~0.9bar	± 0.1 bar	M10X1 (taper)	SQ27 □-RS1 □-M1-□-□
		M10X1	SQ27 □-RS1 □-M0-□-□
		M12X1.5	SQ27 □-RS1 □-M2-□-□
		1/8"PT	SQ27 □-RS1 □-1Q-□-□
		1/4"PT	SQ27 □-RS1 □-2Q-□-□
		1/8"G	SQ27 □-RS1 □-1V-□-□
		1/4"G	SQ27 □-RS1 □-2V-□-□
		1/8"NPT	SQ27 □-RS1 □-1U-□-□
1~9.9bar	± 0.5 bar	M10X1 (taper)	SQ27 □-RL1 □-M1-□-□
		M10X1	SQ27 □-RL1 □-M0-□-□
		M12X1.5	SQ27 □-RL1 □-M2-□-□
		1/8"PT	SQ27 □-RL1 □-1Q-□-□
10~19bar	± 5%	1/4"PT	SQ27 □-RL1 □-2Q-□-□
		1/8"G	SQ27 □-RL1 □-1V-□-□
		1/4"G	SQ27 □-RL1 □-2V-□-□
		1/8"NPT	SQ27 □-RL1 □-1U-□-□
20~49bar	± 5%	1/4"NPT	SQ27 □-RL1 □-2U-□-□
		M10X1 (taper)	SQ27 □-RM1 □-M1-□-□
		M10X1	SQ27 □-RM1 □-M0-□-□
		M12X1.5	SQ27 □-RM1 □-M2-□-□
50~100bar	± 5%	1/8"PT	SQ27 □-RM1 □-1Q-□-□
		1/4"PT	SQ27 □-RM1 □-2Q-□-□
		1/8"G	SQ27 □-RM1 □-1V-□-□
		1/4"G	SQ27 □-RM1 □-2V-□-□
		1/8"NPT	SQ27 □-RM1 □-1U-□-□
		1/4"NPT	SQ27 □-RM1 □-2U-□-□
		M10X1 (taper)	SQ27 □-RH1 □-M1-□-□
		M10X1	SQ27 □-RH1 □-M0-□-□
M12X1.5	SQ27 □-RH1 □-M2-□-□		
1/8"PT	SQ27 □-RH1 □-1Q-□-□		
1/4"PT	SQ27 □-RH1 □-2Q-□-□		
1/8"G	SQ27 □-RH1 □-1V-□-□		
1/4"G	SQ27 □-RH1 □-2V-□-□		
1/8"NPT	SQ27 □-RH1 □-1U-□-□		
1/4"NPT	SQ27 □-RH1 □-2U-□-□		
<b>Body Material</b>	5: Zinc-Plated Steel 6: SUS316 U: Brass		
<b>Contact Form</b>	C: SPDT		
<b>Diaphragm Material</b>	N: NBR D: EPDM V: VITON R: NBR(Low Temp.) T: EPDM(Low Temp.) U: VITON(Low Temp.)		
<b>Wiring</b>	C: DIN43650A		



## SQ27 DIN Series Fixed Pressure

※ ≤20bar with UL certification

Connection	
M10X1 (taper)	SQ27 □-□□□□-M1-□-□
M10X1	SQ27 □-□□□□-M0-□-□
M12X1.5	SQ27 □-□□□□-M2-□-□
1/8"PT	SQ27 □-□□□□-1Q-□-□
1/4"PT	SQ27 □-□□□□-2Q-□-□
1/8"G	SQ27 □-□□□□-1V-□-□
1/4"G	SQ27 □-□□□□-2V-□-□
1/8"NPT	SQ27 □-□□□□-1U-□-□
1/4"NPT	SQ27 □-□□□□-2U-□-□

<b>Body Material</b>	5: Zinc-Plated Steel 6: SUS316 U: Brass
<b>Pressure</b>	□□□ = 0 X 2 = 0.2Bar □□□ = 1 X 1 = 1.1Bar □□□ = 0 0 5 = 5Bar □□□ = 0 5 0 = 50Bar (0.3~0.9Bar) Tolerance 0.1Bar (1~9.9Bar) Tolerance 0.5Bar (10~100Bar ) Tolerance 5%
<b>Contact Form</b>	C: SPDT
<b>Diaphragm Material</b>	N: NBR D: EPDM V: VITON R: NBR(Low Temp.) T: EPDM(Low Temp.) U: VITON(Low Temp.)
<b>Wiring</b>	C: DIN43650A

## Intech Christchurch

59 Mandeville Street Riccarton Christchurch 8011  
PO Box 8568 Riccarton Christchurch 8440  
Phone: (03) 343-0646 Email: [sales@intech.co.nz](mailto:sales@intech.co.nz)

## Intech Auckland

70 Central Park Drive, Henderson, Auckland 0610  
PO Box 8568 Riccarton Christchurch 8440  
Phone: (09) 827-1930 Email: [aucksales@intech.co.nz](mailto:aucksales@intech.co.nz)