

SERIES SD32

- DIN Size 48 (H) × 48 (W) × 100 (D) mm
- Light Body Type (190g)

SPECIFICATIONS

| | |
|--------------------------------------|--|
| Indication: | Digital LED |
| Indicating Tolerance: | ±1.5% FS + 1-digit (Thermocouple input) ±1.0% FS + 1-digit (R.T.D. input) |
| Input: | J, K, L (DIN 43710) |
| Thermocouple: | J, K, L (DIN 43710) |
| Standard Setting | |
| Temperature Compensation Range: | 5~45°C |
| Input Resistance: | 200kΩ |
| External Resistance: | 100Ω max. |
| R.T.D.: | Pt100 |
| Amperage: | 2mA |
| Lead Wire Tolerable Resistance: | 2Ω max. / wire |
| Voltage: | 0~10mv DC linear Input Impedance = 200kΩ min. |
| Current: | 4~20mA DC linear Receiving Impedance = 250Ω |
| Power Consumption: | Approx. 3VA |
| Operating Ambient Temperature Range: | -10~+50°C |
| Operating Ambient Humidity: | 90% RH max. |
| Power Supply: | See Ordering Information. |
| Insulation Resistance: | 500V DC, 20MΩ min. between input and power supply terminals |
| Dielectric Strength: | 1 min. at 500V AC between input and power supply terminals |
| Installation: | Flush in panel |
| External Dimensions: | 48 (H) × 48 (W) × 100 (D) mm |
| Panel Cutout: | 45 (H) × 45 (W) mm |
| Weight: | Approx. 190g |



ORDERING INFORMATION

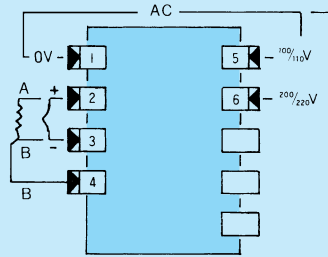
| ITEMS | CODE | SPECIFICATIONS |
|-----------------|-------|--|
| SERIES | SD32- | Digital Indicator, 48 (H) × 48 (W) mm DIN |
| INPUT | 1 | Thermocouple, Input Resistance: 200kΩ |
| | 2 | R.T.D. (Pt100), Amperage: 2mA |
| | 3 | Voltage: 0~10mV DC Linear, Input Impedance: 200kΩ min. |
| | 4 | Current: 4~20mA DC Linear, Receiving Impedance 250Ω |
| | 9 | Others (Please consult before ordering.) |
| POWER SUPPLY | 11- | 100~110V / 200~220V AC ±10%, 50 / 60Hz |
| | 12- | 110~120V / 220~240V AC ±10%, 50 / 60Hz |
| | 99- | Others (Please consult before ordering.) |
| INPUT STANDARD | N | None |
| | J | JIS |
| | F | JIS (New Pt100-JIS) |
| | D | DIN |
| | A | ANSI |
| | X | Others (Please consult before ordering.) |
| TYPE OF INPUT | J | Thermocouple (J) |
| | K | Thermocouple (K) |
| | Q | Thermocouple (L) DIN-43710 |
| | P | R.T.D. (Pt100) |
| | L | Linear — Voltage & Current Inputs |
| | X | Others (Please consult before ordering.) |
| MEASURING RANGE | □□□ | See Measuring Range Codes. |
| LEGEND | N | No Legend |
| | C | °C Temperature |
| | F | °F Temperature |
| | X | Others (Please consult before ordering.) |
| REMARKS | 0 | Without |
| | 9 | With (Please consult before ordering.) |

MEASURING RANGE CODES

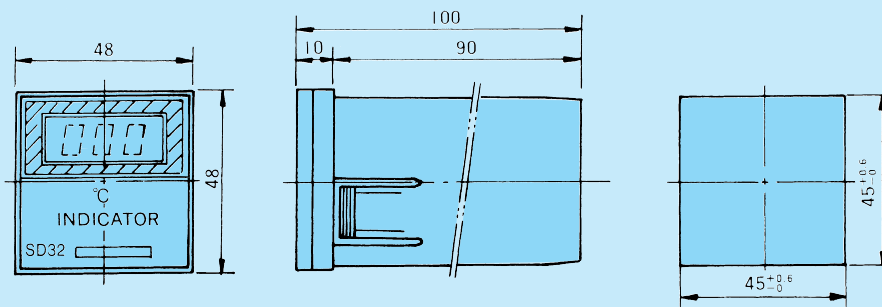
| INPUT | RANGE | CODE | LEGEND |
|-------------------|-------------|------|--------|
| R.T.D. (Pt100) | -99 ~ 99 °C | 576 | C |
| | 0 ~ 99.9°C | 781 | C |
| | 0 ~399 °C | 792 | C |
| Thermo- couple | J 0 ~399 °C | 792 | C |
| | L 0 ~399 °C | 792 | C |
| | K 0 ~399 °C | 792 | C |
| | K 0 ~999 °C | 874 | C |

| INPUT | RANGE | CODE | LEGEND |
|----------------------|-----------|------|--------|
| R.T.D. (Pt100) | 0~399°F | 792 | F |
| | 0~799°F | 871 | F |
| | 0~799°F | 871 | F |
| Thermo- couple | J 0~799°F | 871 | F |
| | K 0~999°F | 874 | F |
| Voltage / Current | 0~ 99.9 | 781 | |
| | 0~499 | 795 | |
| | 0~999 | 874 | |

TERMINAL ARRANGEMENT

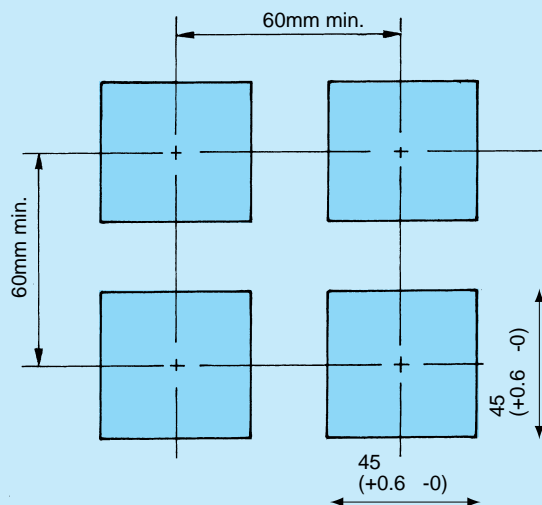


EXTERNAL DIMENSIONS & PANEL CUTOUT



Unit : mm

CUTOUT FOR TWO OR MORE UNITS INSTALLED TOGETHER



Unit : mm

⚠ Warning

- This product is designed for the control of temperature, humidity and other physical values for the general industrial equipment. It is not to be used for any purpose which regulates the prevention of serious effects on human life or safety. No warranty, express or implied is valid if used without proper safety measures.

⚠ Caution

- If the possibility of loss or damage to your system or property as a result of failure of any part of the process exists, proper safety measures must be made before the instrument is put into use as to prevent the occurrence of trouble.



ISO 9001



ISO14001

(The contents of this brochure are subject to change without notice.)

Temperature and Humidity Control Specialists
SHIMADEN CO., LTD.
 Head Office: 2-30-10 Kitamachi, Nerima-Ku, Tokyo 179-0081 Japan
 Phone: +81-3-3931-7891 Fax: +81-3-3931-3089
 E-MAIL: exp-dept@shimaden.co.jp URL: http://www.shimaden.co.jp

Distributed in New Zealand by:
Intech INSTRUMENTS LTD
 Christchurch Auckland www.intech.co.nz
 Ph: +6433430646 098271930
 Fx: +6433430649 098271931 sales@intech.co.nz