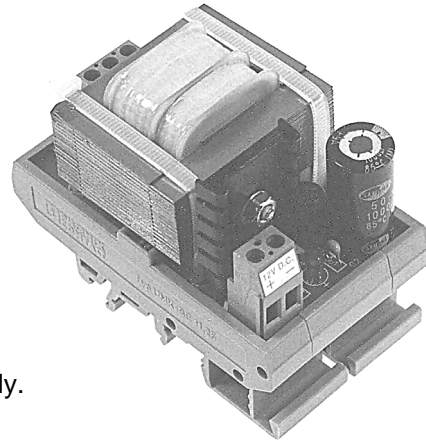


PS-10V3 HIGH PRECISION, Bridge Power Supply.

230Vac Voltage Input
to a Precision, Regulated
10VDC, Bridge Power Supply.

Features.

- Low Ripple.
- Excellent Regulation.
- Cost Effective.
- Selection of Output Voltages.
- Solid State Reliability.
- Compact DIN Rail Mount.
- Short Circuit Limiting.
- Thermal Overload Protection.



Ordering Information.

PS-10V3 HIGH PRECISION 10V Precision Bridge Power Supply.

Specifications.

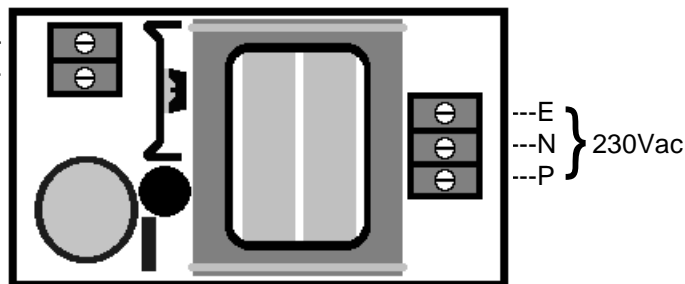
AC Input Range	230Vac $\pm 5\%$ @ 50Hz. 115Vac, 24Vac Available on Request. Other AC Input Ranges Available on Request.
Output Voltage	10Vdc. Other Output Voltages Available on Request.
Output Current	300mA Max.
Output Ripple	5mV RMS Max. (100mA Load)
Output Tolerance	$\pm 0.05\%$ (@ 20C) of Rated Voltage.
Load Regulation	0.05% (From no Load to Full Load)
Temperature Drift	0.01%/C
Operating Temperature	-5C~40C.
Operating Humidity	5~85%RH. Max. Non-condensing.
Dimensions.	Length=45mm; Width=77mm; Height=58mm.

Product Liability. This information describes our products. It does not constitute guaranteed properties and is not intended to affirm the suitability of a product for a particular application. Due to ongoing research and development, designs, specifications, and documentation are subject to change without notification. Regrettably, omissions and exceptions cannot be completely ruled out. No liability will be accepted for errors, omissions or amendments to this specification. Technical data are always specified by their average values and are based on Standard Calibration Units, unless otherwise specified. Each product is subject to the 'Conditions of Sale'.

Warning: These products are not designed for use in, and should not be used for patient connected applications. In any critical installation an independant fail-safe back-up system must always be implemented.

Connections.

Precision 10Vdc---
0V---



Wiring and Installation.

THE PS-10V3 IS TO BE INSTALLED AND SERVICED BY SERVICE PERSONNEL ONLY. NO OPERATOR / USER SERVICEABLE PARTS.

Note 1. All power must be de-energised before connecting any wiring.

- (1) Mount in a clean environment in an electrical cabinet on DIN and EN mounting rail.
- (2) Do not subject to vibration or excess temperature or humidity variations.
- (3) Avoid mounting in cabinets with power control equipment.
- (4) To maintain compliance the PS-10V3 is to be mounted in a fully enclosed steel fire cabinet. The cabinet must be properly earthed, with appropriate input / output entry points and cabling.
- (5) A readily accessible disconnect device and overcurrent device must be incorporated in the power supply wiring.

Quality Assurance Programme.

The modern technology and strict procedures of the ISO9001 Quality Assurance Programme applied during design, development, production and final inspection grant long term reliability of the instrument.

***Intech* INSTRUMENTS LTD.**

16.03-1

Christchurch Auckland
Ph: 03 343 0646 Ph: 09 827 1930
Fx: 03 343 0649 Fx: 09 827 1931
ps-10v3.p65 ISSUE 300603