

JUMO

More than **sensors + automation**

JUMO MIDAS H20 HP

OEM pressure transmitter – high pressure



Dependability as a matter of course.

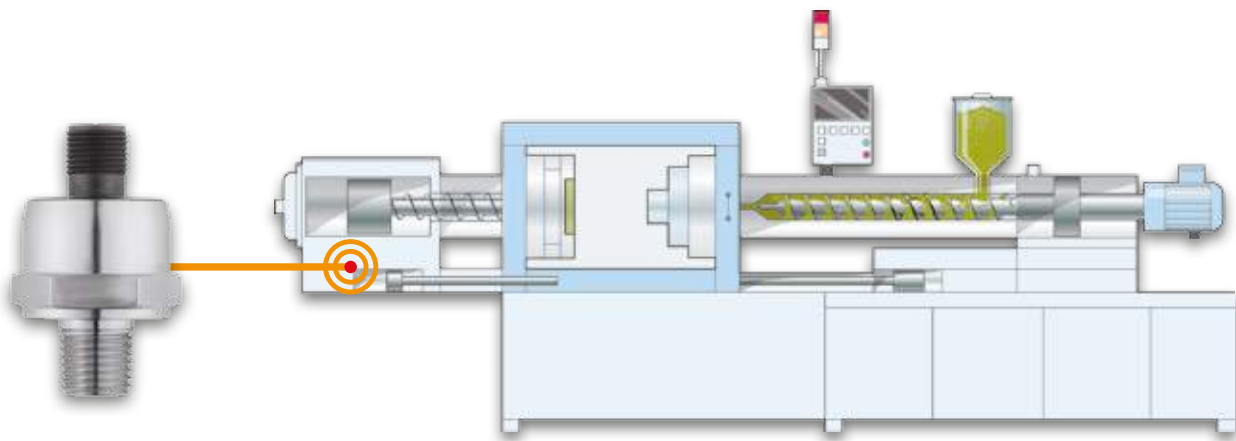
- Increased electrical stability through AC500 V insulation voltage
- Extreme vibration and shock resistance
- ECE type approval (approved for road use)
- Variable measuring ranges from 100 to 1000 bar relative pressure
- Compact design type as of 35 mm in length
- Medium temperatures from -40 to $+125$ °C
- Proven thin film sensor

E24



Type 401020

Application example – pressure measurement in the hydraulic unit of an injection molding machine



Technical data

Description	JUMO MIDAS H20 HP
Measuring range	100 to 1000 bar relative pressure
Medium temperature	-40 to +125 °C
Electrical connection	Attached cable Round plug M12 × 1 MetriPack series 150 Cable socket Deutsch DT04 AMP Superseal
Insulation voltage	AC 500V
Signal quality	Analog path without quantification error
Approval	ECE type approval

Brief overview

JUMO MIDAS H20 HP has the ECE type approval required for road use and is available in protection types up to IP69K. Extreme vibration and shock resistance combined with the high insulation voltage of AC 500 V guarantee reliable operation even in difficult conditions. The device is available in variable measuring ranges from 100 to 1000 bar relative pressure and medium temperatures from -40 to +125 °C.

Its compact design type as of 35 mm in length and its robust product design allow the JUMO MIDAS H20 HP to be applied with a lot of flexibility. The proven thin film sensor guarantees outstanding long-term stability and high accuracy even when the temperature conditions fluctuate. Welded sensor technology and high bursting strength make the pressure transmitter impervious to pressure peaks. These two features also successfully prevent the application-based discharge of oil or other measurement media.