

SAINT WIEN DIGITAL TIMER

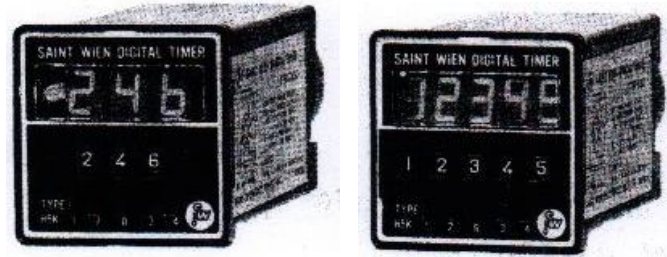
H5K- 1/1

H5K-

TYPE H5K-3D, 4D, 5D. DIN Size 48x48mm
Microcomputer based Digital Timer

FEATURES

- *Incorporative an exclusive one-chip microcomputer based Miniature Digital Timer
- *Up or Down count is available
- *Front panel with 2 range SW, providing 4 different range, Covers 0.01S, to 999H59M, 9999H.
- *Front panel with manual reset push bottom SW.
- *Power off reset or EEPROM backup memory available
- *External Gate input is provided for timer hold.
- *Compact size DIN 48x48mm, for both surface & flush mounting

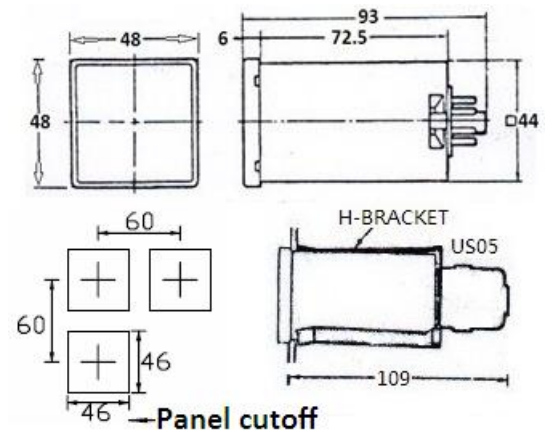


AVAILABLE TYPES

		Range SW's position(2 SW's combination)			
		13	23	14	24
Type	H5K-3DA	9.99S	9M59S	9M59S	9H59M
	-3DB	999S	999M	9H59M	999H
	H5K-4DA	99.99S	99M59S	59M59S	99H59M
	-4DB	9999S	9999M	99H59M	9999H
	H5K-5D	999.99S	999M59S	9H59M59S	999H59M

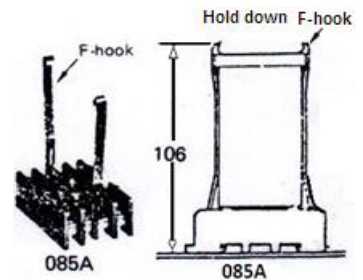
DIMENSIONS(mm) & ACCESSORY

- *Surface mounting: F-hook & N-socket 085A
- *Flush mounting: H-bracket & Y-socket of P3G08 or US05

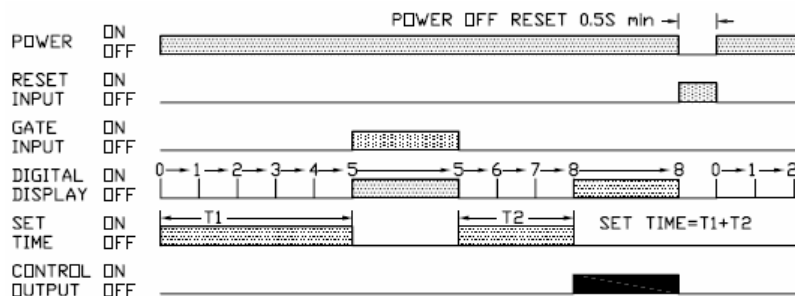
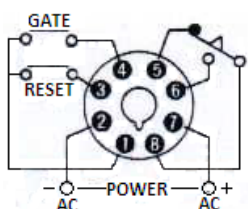


SPECIFICATIONS

- *Rated voltage: 110 or 220VAC 50/60Hz; 12 or 24VDC
 - *Operating voltage: 90~110% of rated voltage.
 - *Power consumption: 2~3.5VA
 - *Gate input: Pin 4 short to pin 1 (0 volt) timer stops
 - *Reset: 1. Power off time 0.5S minimum.
2. Manual reset push button: Depress to reset timer, 0.5S
3. External reset: Pin 3 short to pin 1, 0.5S
 - *Control output: Contact output SPDT (1A1B), 3A250VAC PF=1.0
- Note: Power off reset is not applicable to types with suffix "M".



CONNECTION DIAGRAM & TIME CHART



ORDER INFORMATION

- H5K-61-4AUM — M=MEMORY BACKUP
- COUNTING: U=UP COUNT, D=DOWN COUNT
 - TIMER RANGE: 3A,3B,4A,4B,5. 3,4,5=DIGITS
 - VOLTAGE: 1=110V, 2=220V, 4=24V
 - FREQUENCY: 5=50Hz, 6=60Hz, 7=DC
 - TYPE