

SAINT WIEN MULTIRANGE IC TIMER

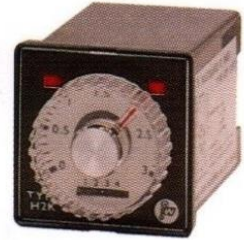
H2K- TYPE H2K-

Frequency counting type multi-range IC timer. Using high Frequency oscillator to generate a stable pulses, through multi stages of counter to provide multi timers' scale for application

FEATURES

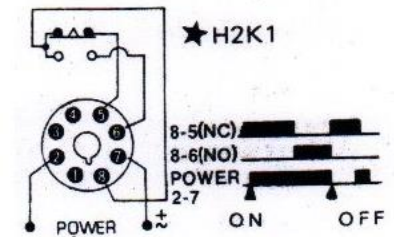
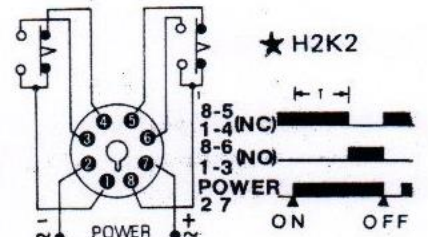
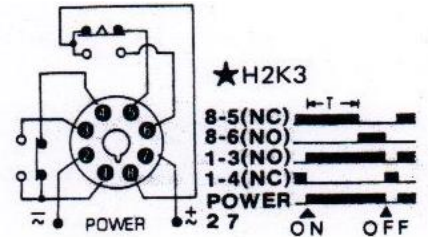
- *High stable timing on any scale
- *Wide range of timer for selection
- *High repetition for high speed cycling
- *Compact size DIN 48x48mm, for both surface & flush mounting
- *Fast resetting time for timer on or midway off.

H2K- 4 RANGE



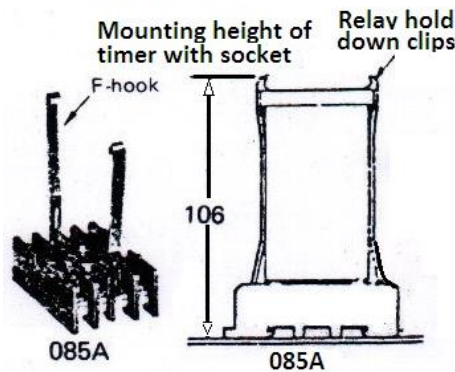
A:1S,10S,1M,10M
B:3S,30S,3M,30M
C:6S,60S,6M,60M

CONNECTIONS & TIME CHART



MOUNTING ASS'Y

- ★ Surface mount'g
F-hook, N-socket 085A
- ★ Flush mount'g
H-bracket, Y-socket
US05 or P3G08



AVAILABLE TYPES

Operation	On delay limit		
Reset method	Power off reset		
Delay contact	SPDT	DPDT	SPDT
Instant contact			SPDT
Type	H2K1	H2K2	H2K3

TIME RANGE

Basic Range	1	2	3	4
A (1S~10M)	1S	10S	1M	10M
B (3S~30M)	3S	30S	3M	30M
C (6S~60M)	6S	60S	6M	60M

★ Note: Pull out the knob to access the range SW.

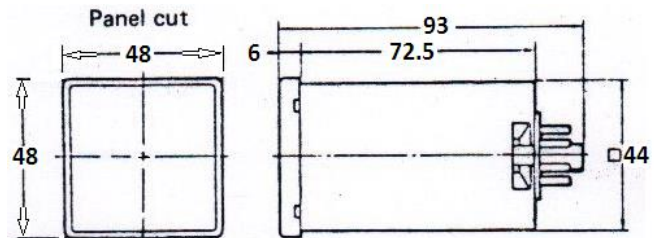
RATINGS

Power source	Nominal voltage 110,220,VAC 50/60Hz;24VDC
Operation voltage	85~115% of Nominal voltage
Power consumption	Approx. 2VA
Output contact	Delay contact: 3A250VAC Instant contact: 1A250VAC, PF=1.0

SPECIFICATIONS

Repetition error	+0.5%
Setting error	+5%
Resetting time	Less than 0.1S
Voltage fluctuation	+0.5%
Temperature fluctuation	+2%
Ambient conditions	-10~50C, 45~85%RH

DIMENSIONS(mm)



ORDER INFORMATION

H2K2-62-A

- Timer range: A,B,C
- Voltage: 2=220V, 1=110V, 4=24V
- Frequency of power: 6=60Hz, 5=50Hz, 7=DC
- Contact: 1=1C=SPDT, 2=2C=DPDT, 3=1A1C=Instant SPDT(1A), Delay SPDT(1C)
- Type