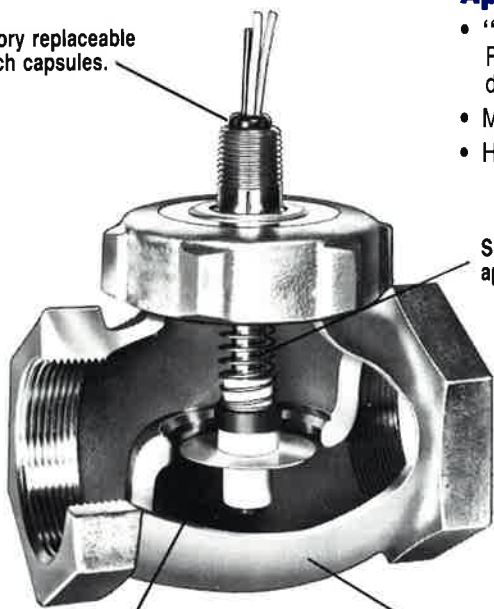


# 1100

Please turn to our **Company Profile** and **Level Switch Selection Guide** to learn more of the advantages in specifying **Thomas Products Ltd.** sensors.

## FIXED SET POINTS, 3/4" - 3" NPT, BRONZE & SST

Factory replaceable switch capsules.



### Applications:

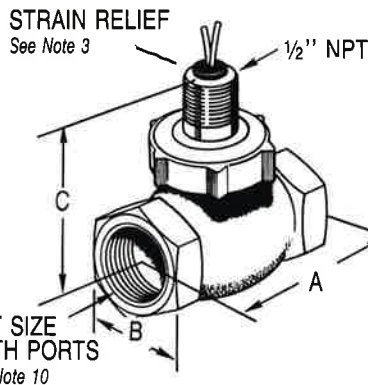
- "INDUSTRIAL STANDARD" Rugged and accurate flow detection for most applications.
- Machine Tool Industry
- HVAC Equipment

Shock and vibration approved.

Welding performed in low hydrogen environment.

True globe-shaped housings yield lower  $\Delta P$  and minimize turbulence.

### Dimensional Data:



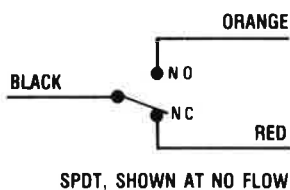
SIZE NPT	A	B HEX	C
3/4"	2 7/8	1 3/8	2 3/4
1"	3 1/4	1 25/32	3
1 1/4"	4	2 3/16	3 3/16
1 1/2"	4 1/2	2 1/2	3 1/2
2"	5 3/8	3 3/32	4
2 1/2"	6 5/16	3 5/8	4 1/2
3"	7 3/8	4 3/8	5 5/32

### Specifications:

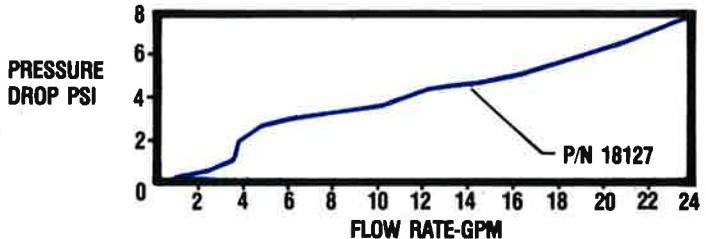
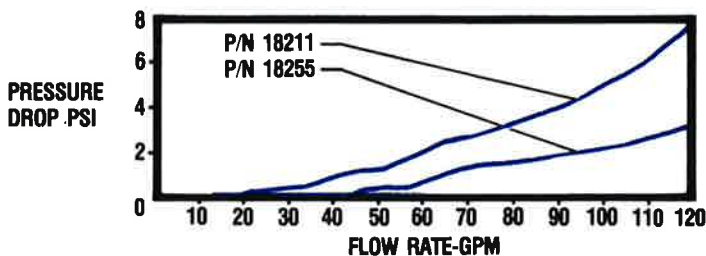
Housing	Shuttle	Spring	"O" Ring	Reed Switch	Wire	Oper. Temp.	Oper. Pres.	Proof Load	Burst Strength	Set Pt. Accur.	Set Pt. Diff.	Repeatability
Bronze or 316 SST	Teflon <small>See Note 7</small>	316 SST	Viton "A"	20 Watt SPDT <small>See Notes 4,5</small>	18 AWG 24" Lg. Polymeric <small>See Note 6</small>	-20°F to +300°F <small>See Note 11</small>	400 PSI @ 100°F	800 PSI @ 100°F	1200 PSI @ 100°F	± 10% MAX. <small>See Note 14</small>	± 10%	1% Max. Deviation

### Electrical:

Reed switch shown in NO FLOW condition.



### Pressure Drop $\Delta p$ :



### Switch Ratings... Max Resistive Load

V.A.	VOLTS	AMPS DC	AMPS AC	AMPS AC MAX
20	0-50	.4	.4	1.0
	120	.15	.16	
	240	.06	.08	

Switch Rating 20 VA: 120-240 VAC Pilot Duty  
UL File E86797

# 1100

Please turn to our **Company Profile** and **Level Switch Selection Guide** to learn more of the advantages in specifying **Thomas Products Ltd.** sensors.

## FIXED SET POINTS, 3/4" - 3" NPT, BRONZE & SST

### Part No.

SIZE NPT	FLOW SETTING GPM <small>See Note 1, 12</small>	P/N BRONZE	P/N 316 SST
3/4" <small>See Note 13</small>	.5	18100 ✓	
	1.0	18101 ✓	
	2.0	18102 ✓	
	3.0	18103 ✓	
	4.0	18104 ✓	
	5.0	18105 ✓	
	6.0	18106 ✓	
1"	.5	18127	18140
	1.0	18128	18141
	2.0	18129	18142
	3.0	18130	18143
	4.0	18131	18144
	5.0	18132	18145
	6.0	18133	18146
1 1/4"	1.0	18153	
	2.0	18154	
	4.0	18155	
	6.0	18156	
	8.0	18157	
	10	18158	
	12	18159	
1 1/2"	1.5	18183	18197
	3	18184	18198
	5	18185	18199
	7.5	18186	18200
	10	18187	18201

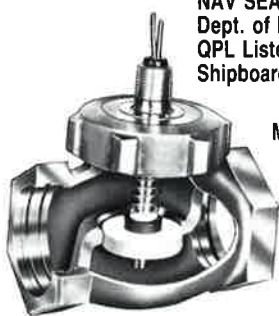
SIZE NPT	FLOW SETTING GPM <small>See Note 1, 12</small>	P/N BRONZE	P/N 316 SST
1 1/2"	15	18188	18202
	20	18189	18203
	30	18190	18204
2"	2	18211	18225
	4	18212	18226
	5	18213	18227
	10	18214	18228
	15	18215	18229
	26	18216	18230
	35	18217	18231
2 1/2"	5	18239	
	10	18240	
	15	18241	
	20	18242	
	25	18243	N/A
	30	18244	
	40	18245	
3"	5	18255	
	15	18256	
	20	18257	
	25	18258	
	30	18259	
	40	18260	N/A
	50	18261	
60	18262		
75	18263		
100	18264		

### Notes: Model 1100

- Standard flow calibration is in water @ 70°F. Calibrated on increasing flow.
- Temperature effect on flow settings: water calibration, slight change; oil varies with viscosity.
- Strain reliefs are standard. Optional silicone potting avail. Consult factory.
- Optional 100W SPST reed switches are stocked. Consult factory.
- Relays for higher loads, junction boxes, terminal strips, etc. are available. See accessories section for details (See Page 28)
- Optional cables available. Consult factory.
- Other wetted materials: ceramic ring magnet.
- Optional SST identification tags attached to unit. Consult factory.
- Optional M/S connector. MS3102E10S-3P
- Optional port sizes: BSP, SAE, silver braze, socket weld, etc. Consult factory.
- High temperature units available to 400°F. Consult factory.
- Standard flow settings are calibrated in water. Other set points in water or oil are available. Consult factory.
- For pipe sizes smaller than 3/4", install appropriate size bushings.
- Calibration: Flow stands are calibrated to the National Bureau of Standards and Thomas Products Ltd. recalibration schedule.

### Specialty Options:

NAV SEA  
Dept. of Navy  
QPL Listed MIL-S-16032  
Shipboard Alarm Systems.



Monel trim.

Silver braze ports.

MODEL 1100M-SB  
Marine Flow Switch  
for sea water  
applications.



Pat. No. 5,162,624

MODEL 2600  
Economical PVC. Straight  
through flow path.

MODEL 1100 with  
optional M/S connector.  
MS3102E10S-3P and  
SST Ident. tag.



MODEL 1800  
Economical PVC.  
90° flow path.