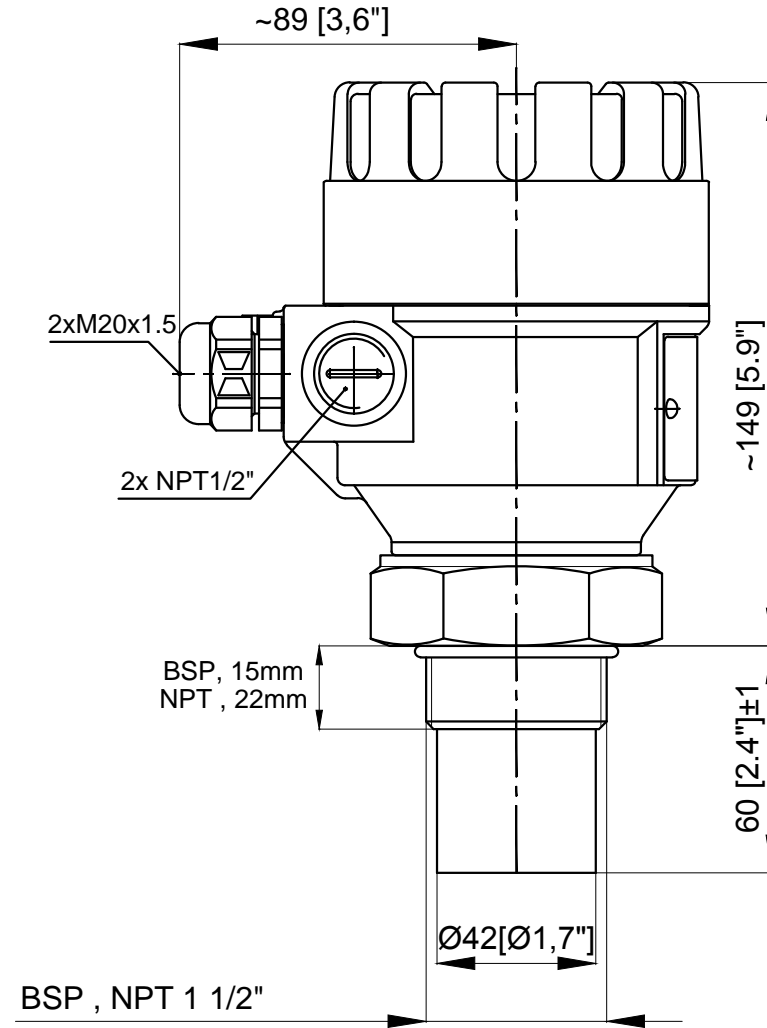


This drawing remains property of Nivelco Control Co. it may be neither copied nor informed to third persons or competitors without our approval.



**NIVELCO**

Process Control Co.  
H-1043 BUDAPEST,  
DUGONICS U. 11.  
www.nivelco.com

Description:

EchoTREK SB/ST-400  
Ultraconic compact level transmitter, Alu. housing  
Plastic transducer, 80 kHz 1-1/2"

Scale:

1:2

Size of origin:

A4

Revision: 0

Date: 2014.07.14

Drawing No.

SBA/B/T, STA/B/T-49\_