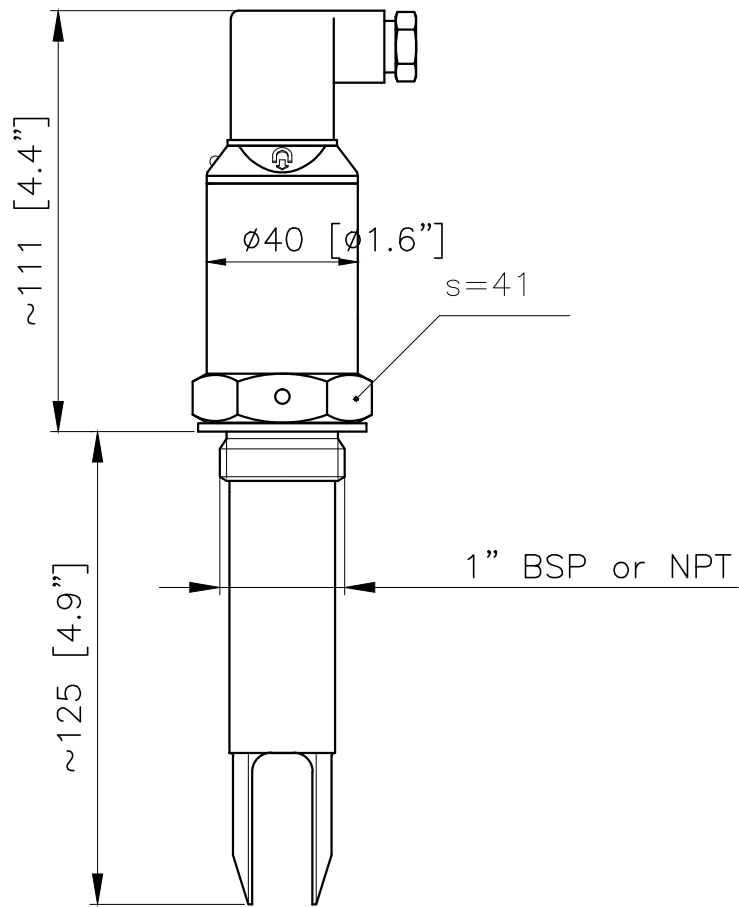


This drawing remains property of Nivelco Control Co. it may be neither copied nor informed to third persons or competitors without our approval.



NIVELCO

Process Control Co.
H-1043 BUDAPEST,
DUGONICS U. 11.
www.nivelco.com

Description:

NIVOSWITCH level switch
DIN connector version
1" BSP or NPT

Scale:

1:2

Size of origin:

A4

Revision: 0

Date: 2014.07.16

Drawing No.

RCM/RCP-401