

Description.

The Intech IN-LLT hydrostatic level transmitters are a fully sealed submersible pressure instrument. The IN-LLT-17 is the slim model and is designed for liquid level measurement. The sensor is housed within a stainless steel IP68 enclosure and provides an industrial output signal of either 4~20mA loop powered or 0~5Vdc. The IN-LLT level transmitters are accurate, compact & light weight.

Applications: Pharmaceuticals, metallurgy, electricity, mines, municipal water supply, irrigation and hydrology.

Features.

- Integrated construction and adjustment free.
- Sensor housing protection IP68.
- Cost-efficient, high reliability and stability.
- RoHS approved.



Ordering Information.

www.intech.co.nz/in-llt

ITEMS	CODE		DESCRIPTION
SERIES	IN-LLT-		Hydrostatic Level Transmitter.
OUTPUT	C17-		4~20mA Output (loop powered).
	V17-		0~5Vdc Output.
RANGE		10	0~10 m H ₂ O with 15m Cable.
		20	0~20 m H ₂ O with 30m Cable.
		50	0~50 m H ₂ O with 60m Cable.
		100	0~100 m H ₂ O with 110m Cable.
		150	0~150 m H ₂ O with 160m Cable.
		200	0~200 m H ₂ O with 210m Cable.

Ordering Example.

IN-LLT-C17-20: Ø17mm Slim Size Submersible Level Transmitter with 4~20mA Output, 0~20m H₂O Range, and 30m of cable.

We strongly recommend that an overvoltage protection device is used with the IN-LLT's to protect against potential Lightning strike or earth potential rises.

Intech Lightning Protection Models: **LPN-OVP** (Rev 1) DIN Rail mount overload protection unit, or **NAA-102** Terminal Box with filter and integral OVP.

Specifications.

Range	10m, 20m, 50m, 100m, 150m, 200m H ₂ O. (See ordering information table.)
Overpressure	1.5 times FS.
Cable	Polyethylene.
Accuracy	±0.5% FS.
Stability	range>20m H ₂ O, ±0.2% FS/year.
	range<20m H ₂ O, 20mm H ₂ O.
Temperature Error	±0.02% FS/°C (Zero), ±0.05% FS/°C (Span).
Operating Temperature	-10~70°C.
Storage Temperature	-20~85°C.
Current Output Model:	4~20mA (2-wire, Loop Powered).
Power supply (U _T):	12~28Vdc.
Load (Ω):	<(U-11)/0.02.
Voltage Output Model:	0~5V.
Power Supply	12~28Vdc.
Current Draw	<3mA.
Wetted Material Construction:	
IP Rating	IP68.
Overall Diameter	17mm.
Housing	Stainless Steel 304.
Diaphragm	Stainless Steel 316L.
Cap	Black Nylon.
Sealing O-Ring	Viton.
Cable	Ø7.5mm Polyethylene with Vented Tube.
Rubber Casing	Chloroprene Rubber.

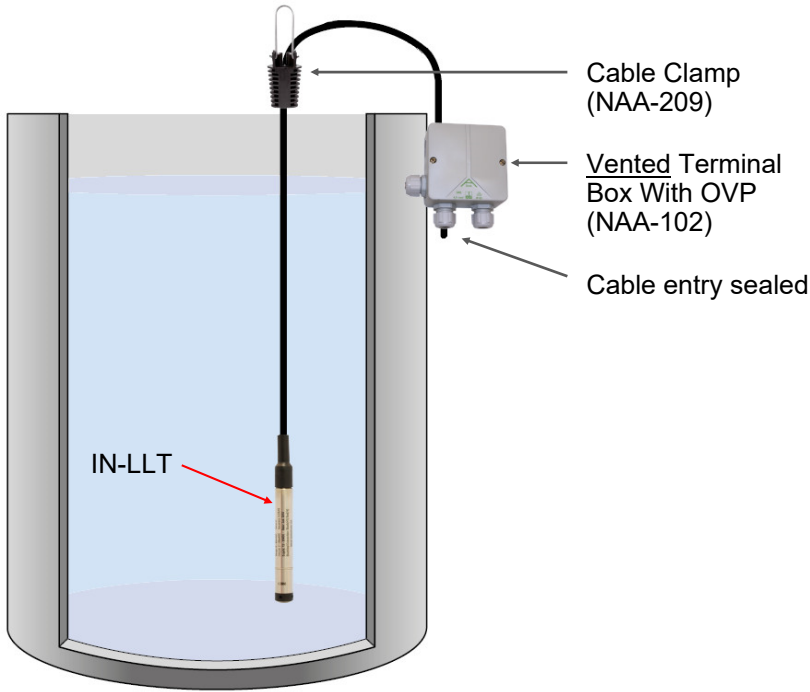
Installation Instructions.

Cable:

- Feed cable from top to prevent water entry into balance capillary.
- Cable must be terminated in a moisture free box that is properly vented.

Support Block and clamp/s:

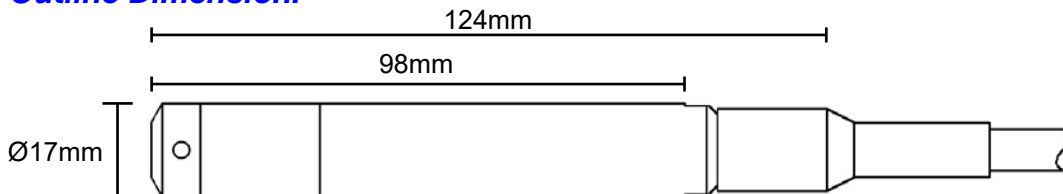
- A support block or clamp is recommended for depths of more than 5 metres.
- A stainless wire support is recommended for depths of more than 12 metres.



Installation Notes:

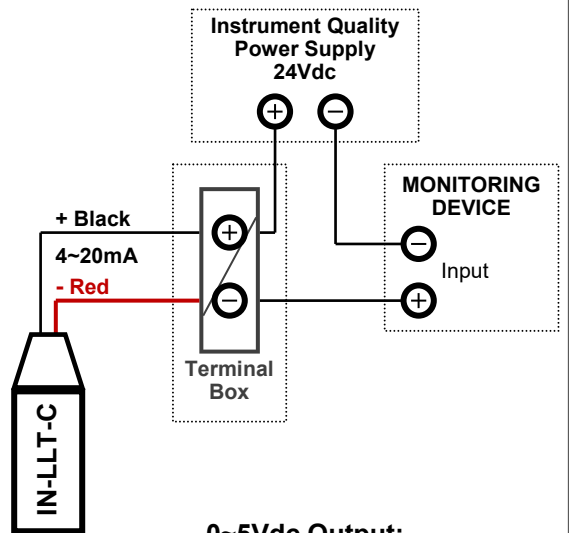
1. In the event that IN-LLT units are being used in substances other than pure water, please ensure that the seals and cable will not be compromised.
2. If the IN-LLT is prone to lightning strikes, we strongly recommend the use of the LPN-OVP to protect the device.
3. For special requirements, please feel free to contact us.

Outline Dimension.

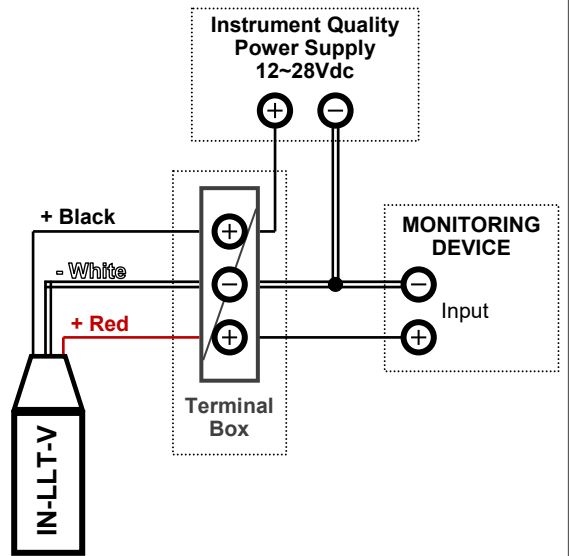


Wiring Diagrams.

4~20mA Output (loop powered):



0~5Vdc Output:



Product Liability. This information describes our products. It does not constitute guaranteed properties and is not intended to affirm the suitability of a product for a particular application. Due to ongoing research and development, designs, specifications, and documentation are subject to change without notification. Regrettably, omissions and exceptions cannot be completely ruled out. No liability will be accepted for errors, omissions or amendments to this specification. Technical data are always specified by their average values and are based on Standard Calibration Units at 25°C, unless otherwise specified. Each product is subject to the 'Conditions of Sale'.

Warning: These products are not designed for use in, and should not be used for patient connected applications. In any critical installation an independent fail-safe back-up system must always be implemented.

Intech INSTRUMENTS LTD

www.intech.co.nz

Christchurch Ph: +64 3 343 0646

Auckland Ph: 09 827 1930

Email: sales@intech.co.nz

IN-LLT 210918