

Phasecut Valve Controller

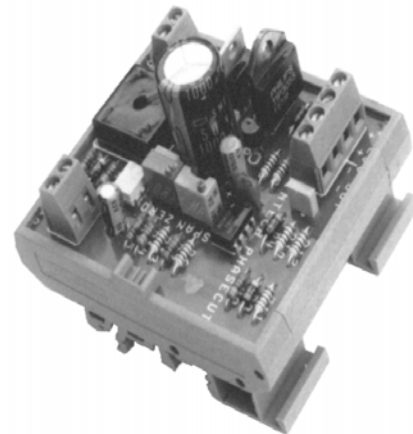
Phase Chopped Voltage Valve Controller.

Description.

The Phasecut Valve Controller is primarily designed to control Staefa valves. It modulates a valve using a 0 to 20V phase chopped output signal referenced to a 4~20mA Input control signal.

- A 4mA input signal represents a 0V of phase chopping.
- A 20mA control signal 20V of phase chopping.

Zero and Span adjustments are provided for fine tuning of the Phasecut to individual valves if required. A dither adjustment is provided to prevent sticking of valves. For all adjustments turn anticlockwise to decrease and clockwise to increase that function.



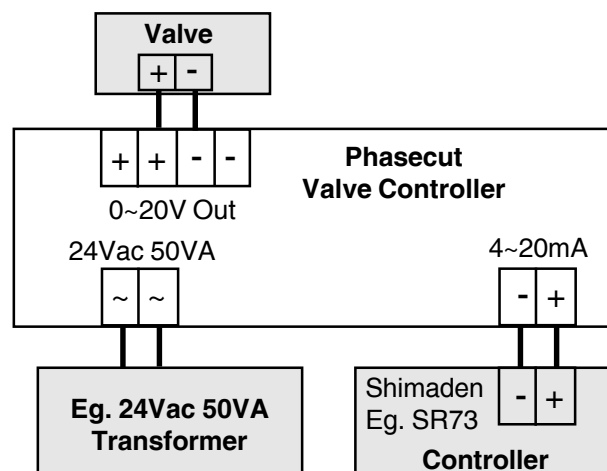
Specifications.

Power Supply	24Vac, 50VA Transformer.
Input Signal	4~20mA.
Isolation Test Voltage	Input to Output; 1000Vdc for 1 min.
Output Signal	0 to 20V Phase Chopped.
Maximum Output Power	50VA.
Operating Temperature	0~70C.
Storage Temperature	-20~80C.
Operating Humidity	5~85%RH Max. Non-Condensing.
Din Rail Mount	Fits all Available EN Rails.
Dimensions	L=78mm, W=68mm, H=65mm.

Product Liability. This information describes our products. It does not constitute guaranteed properties and is not intended to affirm the suitability of a product for a particular application. Due to ongoing research and development, designs, specifications, and documentation are subject to change without notification. Regrettably, omissions and exceptions cannot be completely ruled out. No liability will be accepted for errors, omissions or amendments to this specification. Technical data are always specified by their average values and are based on Standard Calibration Units at 25C, unless otherwise specified. Each product is subject to the 'Conditions of Sale'.

Warning: These products are not designed for use in, and should not be used for patient connected applications. In any critical installation an independant fail-safe back-up system must always be implemented.

Connection Diagram for Intech Phasecut Converter.



Quality Assurance Programme.

The modern technology and strict procedures of the ISO9001 Quality Assurance Programme applied during design, development, production and final inspection grant long term reliability of the instrument.

Intech INSTRUMENTS LTD
www.intech.co.nz
 Christchurch Ph: +64 3 343 0646
 Auckland Ph: 09 827 1930
 Email: sales@intech.co.nz