

IN-ICM Isolation Clocking Module for 2100-M

Isolation Clocking Module for 2100-M.

Description.

The IN-ICM is designed for use with the 2100-M Multiplexer, where isolation between the Clock and Reset control module and the Clock and Reset on the 2100-M is required.

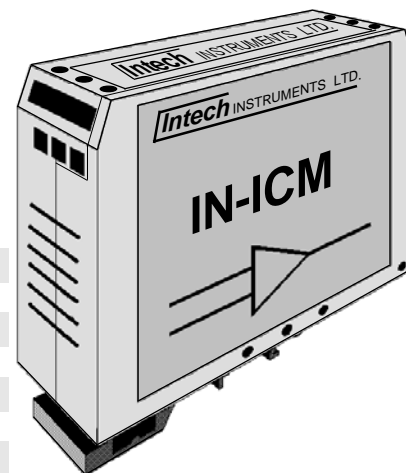


Ordering Information.

IN-ICM-230VAC	230Vac Input - Standard Model.
IN-ICM-115VAC	115Vac Input.
IN-ICM-24V	24Vac/dc Input.

Specifications.

IN-ICM-230VAC	Input	230Vac \pm 10%.
	Hysterisis	75Vac Typical.
	Current	23mAac per Input Typical @ 230Vac.
IN-ICM-115VAC	Input	115Vac \pm 10%.
	Hysterisis	40Vac Typical.
	Current	23mAac per Input Typical @ 115Vac.
IN-ICM-24V	Input	24Vac/dc \pm 10%.
	Hysterisis	8Vac/10Vdc Typical.
	Current	23mAac/28mAdc per Input Typical @ 24V.
Output	Open Collector, 30V @ 100mA Maximum.	
Isolation Test Voltage	Input to Output 3000Vac 50Hz for 1 min.	
EMC Emissions Compliance	EN 55022-A	
EMC Immunity Compliance	EN 50082-1	
Safety Compliance.	EN60950	
Operating Temperature	0~60C.	
Storage Temperature	-20~80C.	
Operating Humidity	5~85%RH Max. Non-Condensing.	
Dimensions	L=79, W=22.5, H=85mm.	

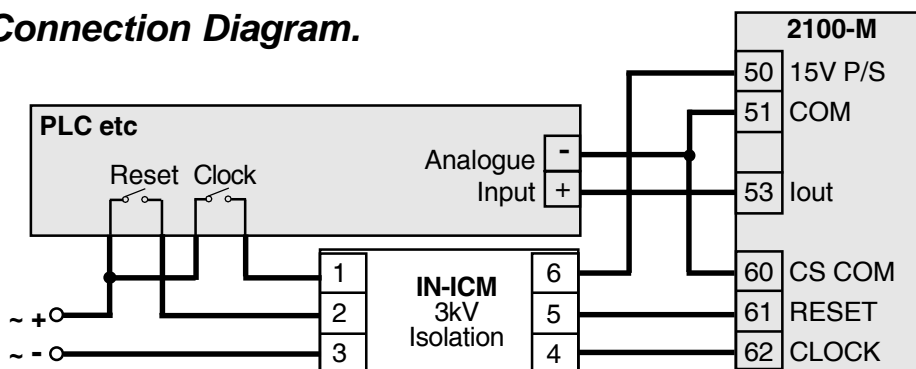


Product Liability. This information describes our products. It does not constitute guaranteed properties and is not intended to affirm the suitability of a product for a particular application. Due to ongoing research and development, designs, specifications, and documentation are subject to change without notification. Regrettably, omissions and exceptions cannot be completely ruled out. No liability will be accepted for errors, omissions or amendments to this specification. Technical data are always specified by their average values and are based on Standard Calibration Units at 25C, unless otherwise specified. Each product is subject to the 'Conditions of Sale'.

Warning: These products are not designed for use in, and should not be used for patient connected applications. In any critical installation an independant fail-safe back-up system must always be implemented.

	CAUTION: Dangerous voltages may be present. The IN-ICM has no user serviceable parts. Protective enclosure only to be opened by qualified personnel. Remove ALL power sources before removing protective cover.	
--	--	--

Example of Connection Diagram.



Quality Assurance Programme.

The modern technology and strict procedures of the ISO9001 Quality Assurance Programme applied during design, development, production and final inspection grant long term reliability of the instrument.

Intech INSTRUMENTS LTD	
www.intech.co.nz	
Christchurch Ph: +64 3 343 0646	
Auckland Ph: 09 827 1930	
Email: sales@intech.co.nz	