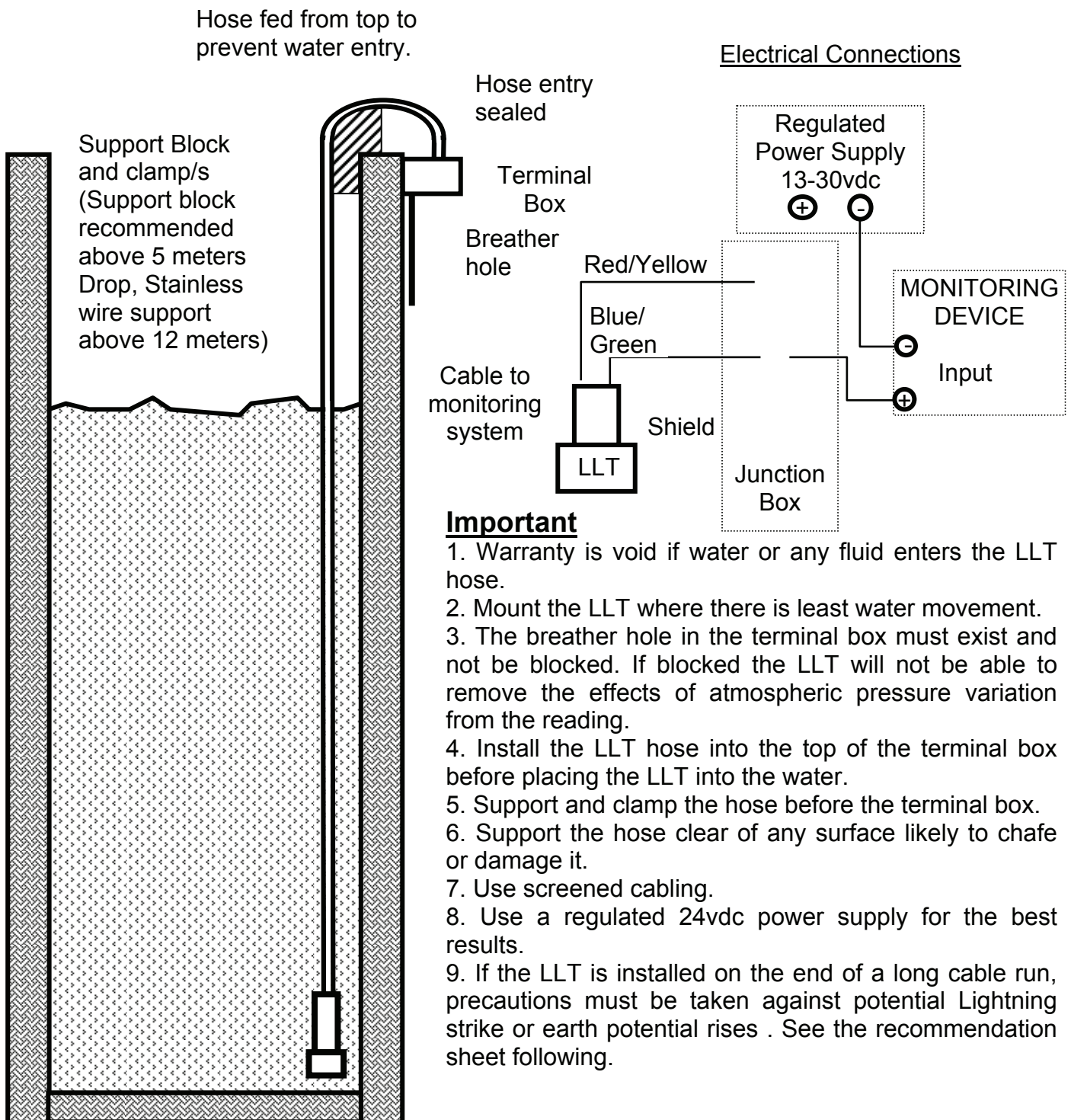
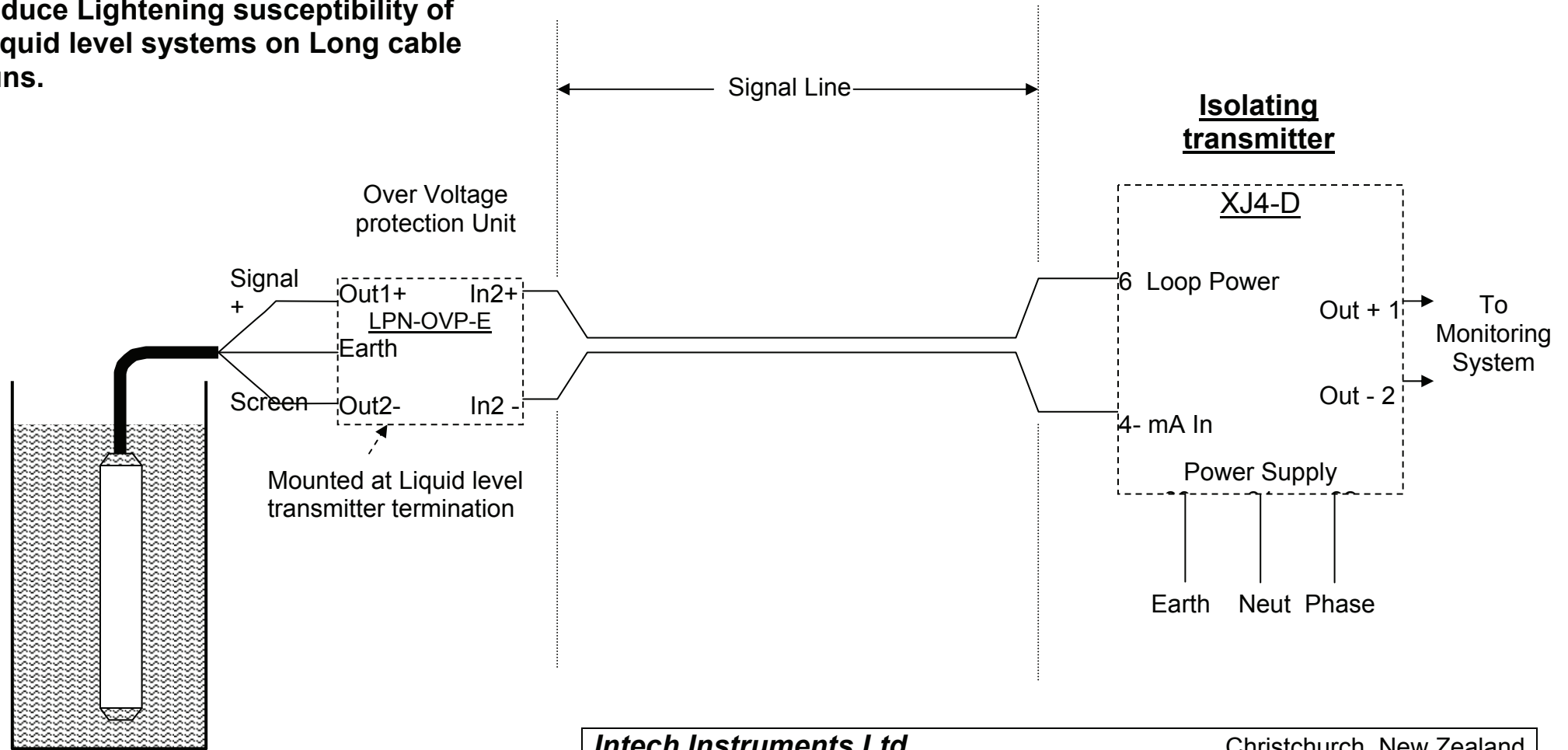


SUBMERSIBLE LIQUID LEVEL TRANSMITTER **IN-LLT & JUMO 4390**



This Drawing is the property of Intech Instruments Limited it must not be passed on to any third party without consent of the company.

Recommended Configuration to reduce Lightning susceptibility of Liquid level systems on Long cable runs.



IN-LLT or JUMO 4390 Series Liquid Level Transmitter.

<u>Intech Instruments Ltd</u>		Christchurch, New Zealand
Recommended connection method for remote mounted Level Transmitters		
Scale: NTS	Date: 18/05/2007 1:55:00 PM	
Filename: LLT Loop.doc	Drawn: Intech Instruments Ltd	
Ph. +64-3-343-0646	Fax: +64-3-343-0649	
Email: sales@intech.co.nz		