

GSM Controller

Monitoring & Control from your Cell Phone

Main Features:

- Control / Monitor / Alarm via GSM mobile phone.
- 8 Channel of 4~20mA inputs.
- 8 relay outputs.
- 8 switch inputs.
- Use Short Message commands from your mobile to enable or disable analog input alarm, switch input alarm and set relay output on/off.
- Two defaulted phone numbers available.
- Dual-band GSM modem built in.



GSM-8000

Use Short Message Commands from your Mobile to Control Systems

A diagram illustrating the system's operation. On the left, a mobile phone is shown with an SMS message on its screen. A yellow lightning bolt points from the phone to a GSM controller unit on the right. Another yellow lightning bolt points from the controller to a large industrial structure in the background. The controller unit is identical to the one shown in the previous image. The background is a green field with a hazy industrial structure in the distance.

SMS (Text) Messages

- Alarms
- Requests
- Control

SMS Message (GSM Mobile Phone)

GSM Remote Monitor / Control / Alarm System

- Analogue & Digital inputs
- Relay outputs
- Cool stores
- Pumping station
- Water supply system
- Agriculture



Features

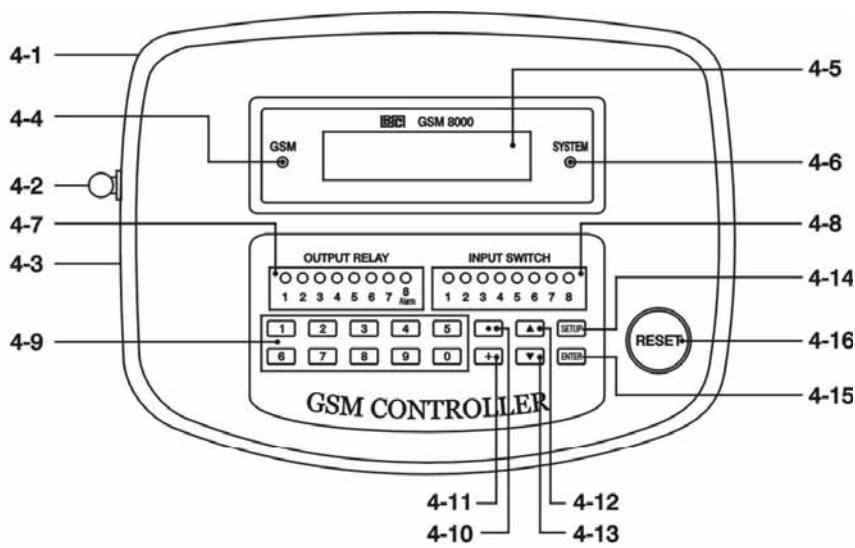
- Control/Monitor/Alarm via GSM mobile phone, no distance limitation. User can control/monitor/alarm their devices all over the world.
- 8 channels Analog input (4 -20 mA).
- 8 Relay outputs.
- 8 Switch inputs, normal open, close alarm.
- 8 Analog inputs: system can preset 4 mA and 20 mA input value according the real measuring value and setting display unit. It can read actual measuring data via the SMS (Short Message) requested, such as CH1= 28.0 C. CH2=53.7 %RH, CH3=7.01 pH..... CH8= 230.5 ACV.
- Enable or disable Analog input alarm (High alarm, Low alarm) via SMS.
- Enable or disable switch Input alarm (close alarm) via SMS.
- Set relay output On/Off via SMS.
- Dot matrix LCD display show Analog input value, Switch input and Relay output status.
- All setting value will be saved into EPROM IC, no loss.
- Mobile telephone can call out all channel measuring value, status of Switch input and Relay output at any time.
- Can default two telephone no., alarm SMS can be sent to two users.
- Build GSM mobile modem (dual band).
- After the SMS command sent by mobile phone, the confirm message will be sent back to the mobile, safe and no loss.
- Intelligent application , innovation, wide range, no limitation.



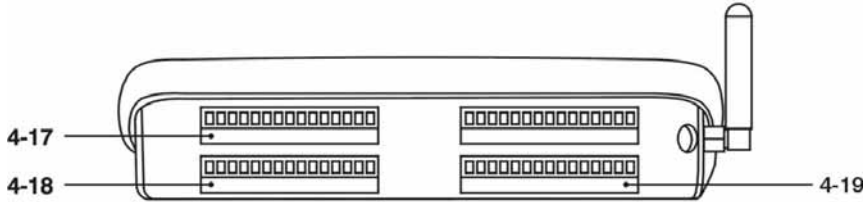
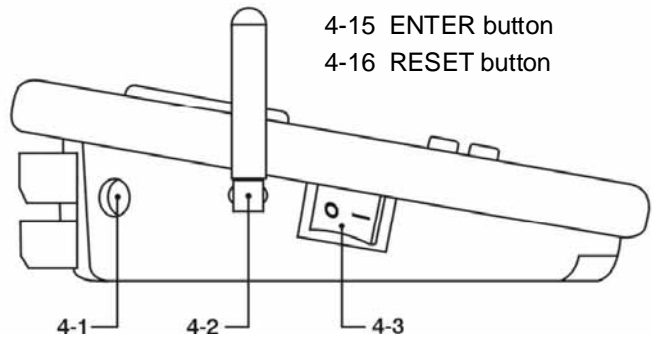
Applications

- Industrial remote monitor / control / alarm system
- Industrial security system
- Home security system
- Building supervision
- Industrial system
- Pumping station
- Power station
- Agriculture usage
- Animal husbandry
- Water supply system
- Traffic system
- Railway systems/Vehicle
- Energy system
- Water clarification
- Heating power plant

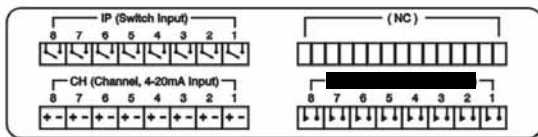
Front Panel & Layout Description



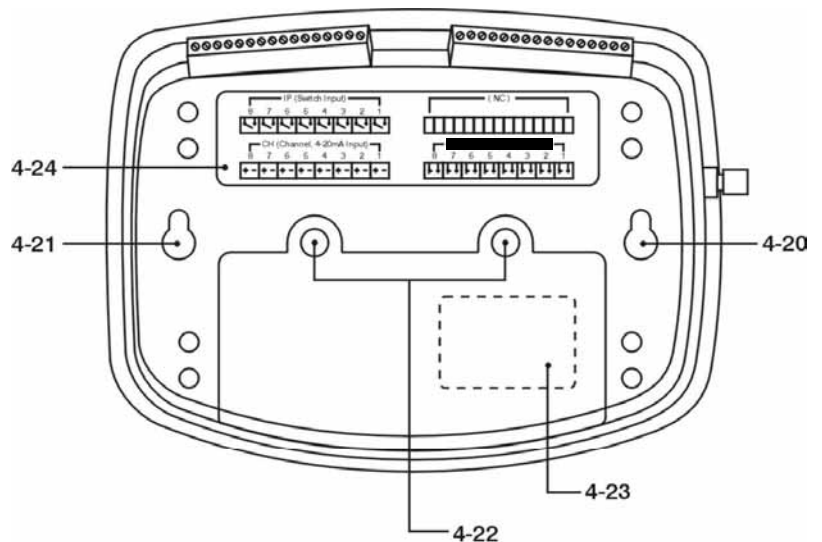
- 4-1 DC 9V power adapter socket
- 4-2 Antenna and Antenna socket
- 4-3 Power On/Off switch
- 4-4 GSM indicator
- 4-5 LCD display
- 4-6 System indicator
- 4-7 Relay output indicator
- 4-8 Switch input indicator
- 4-9 Numerical buttons
- 4-10 Decimal button
- 4-11 + - button
- 4-12 button ▲
- 4-13 button ▼
- 4-14 SETUP button
- 4-15 ENTER button
- 4-16 RESET button



- 4-17 IP (Switch input) terminals
- 4-18 CH (Analog input, 4-20 mA input) terminals
- 4-19 OP (Relay output) terminals



- 4-20 Fix hole for wall installation
- 4-21 Fix hole for wall installation
- 4-22 Screws for the SIM card cover
- 4-23 SIM card holder
- 4-24 Terminal instruction label



Specifications

DISPLAY	Dot-matrix LCD with back light 16 characters x 2 lines	
GSM Modem	900/1800 MHz, dual bands	
Switch inputs	Number	8 inputs
	Reaction time	200 mS, min.
	Status	Default open, Closed for alarm
Analog input 4 to 20 mA	Number	8 channels
	Input impedance	125 ohm
	Resolution	12 bits A/D converter
	Setting by front buttons	4 mA, 20 mA setting Unit setting High/Low alarm value setting
	Relay outputs	Number
	Function	Relay 1 to Relay 7 can control by mobile via SMS. Relay 8 is the alarm relay used to connect to field alarm system
	Max load	1 ACA/250 ACV 1 DCA/24 DCV
	Standard	CE conformity
Operating Temperature	0 to 50°C (32 to 122°F)	
Operating Humidity	Less than 80% RH	
Power supply	DC 9V	
Power consumption	Less than 400 mA DC	
Size	193 x 149 x 46 mm. (7.6 x 4.9 x 1.8 inch).	
Weight	592 g (1.3 LB).	
Accessories included	Operation manual.....	1 PC
	AC (100 -240 V)/DC (9V, 1 Amp) power adapter.....	1 PC
	Antenna	1 PC

For more information on this product, please visit: www.intech.co.nz/sms/