

°C	Series SR90 SHIMADEN DIGITAL CONTROLLER
%RH	
SHIMADEN	



BASIC FEATURES

- Multi-input and multi-range performance***
- Large 20mm bright display (SR93)***
- Readable from a distance and in a low light area***
- 2-output heating and cooling control available***
- RS232C or RS485 Interface available***
- Dust and splash proof front panel equivalent to IP66***
- A wide selection of additional functions (optional) is available to suit various needs.***

■ Display

- Digital display: Measured value (PV)/7 segments red LED 4 digits
Target set value (SV)/7 segments green LED 4 digits
- Display accuracy: $\pm(0.3\%FS + 1 \text{ digit})$
Excluding reference contact temperature compensation accuracy of thermocouple input.
Accuracy of readings lower than $-100^{\circ}C$ of thermocouples K, T, U inputs is $\pm 0.7\%FS$.
Accuracy guarantee not applicable to $400^{\circ}C$ ($752^{\circ}F$) and below of B thermocouple.
- Display accuracy maintaining range: $23^{\circ}C \pm 5^{\circ}C$ ($18\sim 28^{\circ}C$)
- Display resolution: Depends on measuring range (0.001, 0.01, 0.1 and 1)
- Measured value display range: $-10\% \sim 110\%$ of measuring range
- Display updating cycle: 0.25 seconds
- Action display/color: 7 type, LED lamp display
Control output (OUT1, OUT2)/Green
Event (EV1, EV2)/Orange
Auto tuning/Green
Manual control output (MAN)/Green
Set value bias, communication (SB/COM)/Green

■ Setting

- Setting method: By operating 4 keys (⊖, ▾, ▲ and ENT) on the front panel
- Target value setting range: Same as measuring range (within setting limiter)
- Setting limiter: Individual setting for higher and lower limits, any value is selectable within measuring range (Lower limit value < Higher limit value)

■ Input

- Type of input: Selectable from multiple (TC, Pt, mV), voltage (V) and current (mA)
- Thermocouple: B, R, S, K, E, J, T, N, PL II, Wre5-26 {U, L (DIN 43710)}
Input impedance: $500k\Omega$ minimum
External resistance tolerance: 100Ω maximum
Burnout function: Standard feature (up scale)
Reference junction compensation accuracy: $\pm 1^{\circ}C$ (within the accuracy maintaining range ($23 \pm 5^{\circ}C$))
 $\pm 2^{\circ}C$ (between 5 and $45^{\circ}C$ of ambient temperature)
- R.T.D.: Pt100/JPt100, 3-wire type
Normal current: 0.25 mA
Lead wire tolerance: 5Ω maximum/wire (3 lead wires should have the same resistance.)
- Voltage mV: $-10\sim 10, 0\sim 10, 0\sim 20, 0\sim 50, 10\sim 50, 0\sim 100\text{mv DC}$
V: $-1\sim 1, 0\sim 1, 0\sim 2, 0\sim 5, 1\sim 5, 0\sim 10V$
Input impedance: $500k\Omega$ minimum
- Current mA: $0\sim 20, 4\sim 20\text{mA DC}$
Receiving impedance: 250Ω
- Input scaling function: Scaling possible for voltage (mV, V) or current (mA) input
Scaling range: $-1999\sim 9999$ counts
Span: $10\sim 5000$ counts
Position of decimal point: None, 1, 2 and 3 digits on the right of decimal point
- Sampling cycle: 0.25 seconds
- PV bias: $-1999\sim 2000$ units
- PV filter: $0\sim 100$ seconds
- Isolation: Control input not insulated from system, set value bias, and CT input but insulated from others

■ Control

- Control mode
With 1 output: Expert PID control with auto tuning function
RA (reverse action characteristic): Heating action
DA (direct action characteristic): Cooling action
- With 2 outputs: Expert PID control with auto tuning function + PID control
PID (output 1) + PID (output 2)

- RA (reverse action characteristic): Heating action (OUT1) and cooling action (OUT2)
DA (direct characteristic): 2-stage heating action
- Type of control/rating: Contact/1a 240V AC 2A (resistive load) 1.2A (inductive load)
(Common to Output 1 and 2): SSR drive voltage/ $12V \pm 1.5V$ DC (Maximum load current 30mA)
Current/ $4\sim 20\text{mA DC}$ (Maximum load resistance 600Ω)
Voltage/ $0\sim 10V$ DC (Maximum load current 2mA)
- Control output resolution: Control output 1: approx. 0.0125% (1/8000)
Control output 2: approx. 0.5% (1/200)
- Control output 1
Proportional band (P): OFF, 0.1~999.9% (ON-OFF action by OFF)
Integral time (I): OFF, 1~6000 seconds (P or PD action by OFF)
Derivative time (D): OFF, 1~3600 seconds (P or PI action by OFF)
Set value function: OFF, 0.01~1.00
ON-OFF hysteresis: 1~999 units (Effective when P=OFF)
Manual reset: $-50.0\sim 50.0\%$ (Effective when I=OFF)
Higher/lower limit output limiter: Lower limit 0.0~99.9%, higher limit 0.1~100.0% (Lower limit value < Higher limit value)
Proportional cycle: 1~120 seconds (for contact and SSR drive voltage output)
- Control output 2 (option)
Proportional band (P): OFF, 0.1~999.9% (ON-OFF action by OFF)
Integral time (I): OFF, 1~6000 seconds (P or PD action by OFF)
Derivative time (D): OFF, 1~3600 seconds (P or PI action by OFF)
Set value function: OFF, 0.01~1.00
ON-OFF hysteresis: 1~999 units (Effective when P=OFF)
Dead band: $-1999\sim 5000$ units (Overlap with a negative value)
Higher/lower limit output limiter: Lower limit 0.0~99.9%, higher limit 0.1~100.0% (Lower limit value < Higher limit value)
Proportional cycle: 1~120 seconds (for contact and SSR drive voltage output)
- Manual control
Output setting range: 0.0~100.0%
Setting resolution: 0.1%
Manual \leftrightarrow auto switching: Balanceless bumpless (within proportional range)
- Soft start: OFF, 1~100 seconds
- AT point: SV value in execution
- Control output characteristic: RA (reverse action characteristic)/DA (direct action characteristic) switching by front key or communication
With 2 outputs: RA (heating/cooling)/DA (2 stage heating)
- Isolation: Contact output isolated from all.
Analog output not insulated from SSR drive voltage, current and voltage but insulated from others. (In case another output is also SSR drive voltage, current or voltage, two outputs are not insulated from each other.)
- Event output (option)
● Number of event points: 2 points of EV1 and EV2
● Types: Selectable from the following 9 types for EV1 and EV2:
OFF No selection
Hd Higher limit deviation
Ld Lower limit deviation
od Outside higher/lower limit deviations
wd Within higher/lower limit deviations
HA Higher limit absolute value
LA Lower limit absolute value
So Scaleover
Hb Heater break/loop alarm
- Event setting range: Absolute values (both higher limit and lower limit): Within measuring range
Deviations (both higher limit and lower limit): $-1999\sim 2000$ units
Higher/lower limit deviations (within/outside): $0\sim 2000$ units

- Event action: ON-OFF action
- Hysteresis: 1~999 units
- Standby action: Selectable from the following 4 types
 - 1 Without standby action.
 - 2 Standby when power is applied.
 - 3 Standby when power is applied and when SV value in execution is changed.
 - 4 Control mode without standby action (No alarm is output at the time of abnormal input).
- Output type/rating: Contact (1a × 2 points common)/240V AC 1A (resistive load)
- Output updating cycle: 0.25 seconds
- **Heater break/heater loop alarm (option)**
Break/loop detection only for OUT1 (Selectable when output type is contact or SSR drive voltage)
- Current capacity: 30A, 50A to be designated when CT is ordered.
- Alarm action: Heater current is detected by external CT provided as an accessory.
When heater break is detected while control output is ON=Alarm output ON
When heater loop alarm is detected while control output is OFF=Alarm output ON
- Current setting range: OFF, 0.1~50.0A (Alarm action is stopped by setting OFF)
- Setting resolution: 0.1A
- Current display range: 0.0~55.0A
- Display accuracy: ±2.0A (Sine wave at 50Hz)
- Minimum time to identify action: 0.25 seconds (every 0.5 seconds) common to ON and OFF
- Alarm retention mode: Selectable from lock (to retain) and real (not to retain).
- Standby action: Selectable from without (OFF) and with (ON).
- Sampling cycle: 0.5 seconds
- Isolation: CT input not insulated from system and other inputs but insulated from the others.
- **Set value bias (option)**
- Setting range: -1999~5000 units
- Action input: Non-voltage contact or open collector (level action) about 5V DC, 1mA maximum
- Minimum level retention time: 0.15 seconds
- Isolation: Action input not insulated from system and other inputs but insulated from others
- **Communication function (option)**
- Type of communication: RS-232C, RS-485
- Communication system: RS-232C 3-line type half duplex system
RS-485 2-line type half duplex system {RS-485 is of half-duplex multi-drop (bus) system}
- Synchronization system: Start-stop synchronization system
- Communication distance: RS-232C The longest: 15 m
RS-485 The longest 500 m (depending on conditions)
- Communication speed: 1200, 2400, 4800, 9600, 19200 bps
- Data format: 7 bits, even parity, 1 stop bit or 8 bits, non-parity, 1 stop bit
- Communication address: 1~255
- Communication memory mode: EEP/RAM/r_E
- Communication BCC: Add/Add two's cmp/XOR/None
- Communication delay time: 1~100 (× 0.512 msec)
- Communication code: ASCII code
- Communication protocol: Shimaden's standard protocol
- Number of connectable instruments:
 - RS-232 1
 - RS-485 up to 31
- Isolation: Communication signals insulated from system, each input and each output.
- **Analog output (option)**
- Number of output points: 1 point
- Type of analog output: Selectable from measured value, target value (SV in execution), control output 1 and control output 2.
- Output signal/rating: 4~20mA DC/Maximum load resistance 300Ω
0~10V DC/Maximum load current 2mA
0~10mV DC/Output resistance 10Ω
- Output scaling: Measured value, target value: Within measuring range (inversed scaling possible)
Control output 1 and 2 0.0~100.0% (inversed scaling possible)
- Output accuracy: ±0.3% FS (with respect to displayed value)
- Output resolution: Approx. 0.01% (1/10000)
- Output updating cycle: 0.25 seconds
- Isolation: Analog output insulated from system and inputs but not insulated from control output except contact output.
- **General specifications**
- Data storage: Non-volatile memory (EEPROM)
- Environmental conditions for instrument operation:
 - Temperature: -10~50°C
 - Humidity: 90% RH or less (no dew condensation)
 - Height: 2000m from the sea level or lower
 - Category: II
 - Degree of pollution: 2
- Storage temperature: -20~65°C
- Supply voltage: Either 100-240V AC±10% 50/60Hz or 24V AC/DC±10% to be designated.
- Power consumption: SR91: 100-240VAC 11VA maximum for AC; 6W for DC 24V; 7VA for AC 24V
SR92, SR93 and SR94: 100-240VAC 15VA maximum for AC; 8W for DC 24V; 9VA for AC 24V
- Input/noise removal ratio: 50 dB or higher in normal mode (50/60 Hz)
130 dB or higher in common mode (50/60 Hz)
- Applicable standards: Safety: IEC1010 and EN61010-1
EMC: EN61326
- Insulation resistance: Between input/output terminals and power terminal 500V DC 20MΩ or above;
Between input/output terminals and protective conductor terminal 500V DC 20MΩ or above
- Dielectric strength: Between input/output terminals and power terminal 2300V AC/minute; Between power terminal and protective conductor terminal 1500V AC/minute
- Protective structure: Only front panel has dust-proof and drip-proof structure equivalent to IP66.
- Material of case: PPO resin molding (equivalent to UL94V-1)
- External dimensions:
 - SR91: H48 × W48 × D111 (Panel depth: 100) mm
 - SR92: H72 × W72 × D111 (Panel depth: 100) mm
 - SR93: H96 × W96 × D111 (Panel depth: 100) mm
 - SR94: H96 × W48 × D111 (Panel depth: 100) mm
- Mounting: Push-in panel (one-touch mount)
- Panel thickness: 1.0~4.0 mm
- Panel cutout:
 - SR91: H45 × W45 mm
 - SR92: H68 × W68 mm
 - SR93: H92 × W92 mm
 - SR94: H92 × W45 mm
- Weight:
 - SR91: Approximately 170 g
 - SR92: Approximately 280 g
 - SR93: Approximately 330 g
 - SR94: Approximately 240 g

ITEM	CODE		SPECIFICATIONS		
SERIES	SR91-		MPU-Based Auto-Tuning PID Digital Controller, DIN H48×W48×D110mm		
INPUT	8	Multi input	Thermocouple: B, R, S, K, E, J, T, N, PLII, Wre5-26 {U, L (DIN 43710)}		
			R.T.D.: Pt100 Ω /JPt100 Ω		
			Voltage: -10~10, 0~10, 0~20, 0~50, 10~50, 0~100mV DC		
	4		Current (mA): 0~20, 4~20mA DC	For voltage and current input: Scaling Possible Range: -1999~9999 Span: 10~5000 Note: Inverse scaling is not possible	
	6		Receiving impedance: 250 Ω		
			Voltage (V): -1~1, 0~1, 0~2, 0~5, 1~5, 0~10V DC		
CONTROL OUTPUT (1)	Y-		Contact: 1a, Contact capacity: 240V AC 2.5A/resistive load Proportional cycle: 1~120 sec.		
	I-		Current: 4~20mA DC Load resistance: 600 Ωmax.		
	P-		SSR drive voltage: 12V 1.5V DC/30mA max. Proportional cycle: 1~120 sec.		
	V-		Voltage: 0~10V DC Load current: 2mA max.		
POWER SUPPLY	90-		100~240V AC 10%, 50/60Hz		
	08-		24V AC/DC 10%, 50/60Hz		
EVENT OUTPUT (OPTION)	0		None		
	1		Contact output (2a) Ev1, Ev2: 240V AC 1A/resistive load		
OPTION	Control output (2)	N	None		
		Y	Contact: 1a, Contact capacity: 240V AC 2.5A/resistive load Proportional cycle: 1~120 sec.		
		I	Current: 4~20mA DC Load resistance: 600 Ωmax.		
		P	SSR drive voltage: 12±1.5V DC/30mA max. Proportional cycle: 1~120 sec.		
		V	Voltage: 0~10V DC Load current: 2mA max.		
	Heater break alarm	1	Current setting range: 0.1~30.0A (with CT 30A)		Note: Available only when control output (1) is Y or P and when event output is selected.
		2	Current setting range: 0.1~50.0A (with CT 50A)		
	Analog output	3	Voltage: 0~10mV DC, Output resistance: 10 Ω		
		4	Current: 4~20mA DC, Load resistance: 300 Ωmax.		
		6	Voltage: 0~10V DC, Load current: 2mA max.		
	Communication	5	RS-485		
Set value bias	8	1 point (setting range: -1999~5000), Non-voltage contact or Open collector input Open collector input rating: approx. 5V/1mA max.			
REMARKS	0	Without			
	9	With (Please consult before ordering.)			

Note:

When you purchase a two-output type controller and use it in a one output capacity, larger overshooting or undershooting may happen as a result of integral operation. Therefore, we recommend you to choose a one-output type.

The cause of the above-mentioned problem is that the positional relationship between the proportional band (PB) and the set value (SV) of a one-output type controller differs from that of a two-output type.

ITEM	CODE		SPECIFICATIONS	
SERIES	SR92-		MPU-Based Auto-Tuning PID Digital Controller, DIN H72 × W72 × D110mm	
INPUT	8	Multi input	Thermocouple: B, R, S, K, E, J, T, N, PLII, Wre5-26 {U, L (DIN 43710)} R.T.D.: Pt100Ω /JPt100Ω	
			Voltage (mV): -10~10, 0~10, 0~20, 0~50, 10~50, 0~100mV DC	
			Current (mA): 0~20, 4~20mA DC Receiving impedance: 250Ω	
	4		For voltage and current input: Scaling Possible Range: -1999~9999 Span: 10~5000	
	6		Note: Inverse scaling is not possible.	
CONTROL OUTPUT (1)	Y-		Contact: 1a, Contact capacity: 240V AC 2A/resistive load Proportional cycle: 1~120 sec.	
	I-		Current: 4~20mA DC Load resistance: 600Ω max.	
	P-		SSR drive voltage: 12V±1.5V DC/30mA max. Proportional cycle: 1~120 sec.	
	V-		Voltage: 0~10V DC Load current: 2mA max.	
CONTROL OUTPUT (2) (OPTION)	N-		None	
	Y-		Contact: 1a, Contact capacity: 240V AC 2A/resistive load Proportional cycle: 1~120 sec.	
	I-		Current: 4~20mA DC Load resistance: 600Ω max. (RA when shipped)	
	P-		SSR drive voltage: 12V±1.5V DC/30mA max. Proportional cycle: 1~120 sec.	
	V-		Voltage: 0~10V DC Load current: 2mA max.	
POWER SUPPLY	90-		100V~240V AC±10%, 50/60Hz	
	08-		24V AC/DC±10%, 50/60Hz	
EVENT OUTPUT/ HEATER BREAK ALARM (OPTION)	0		None	
	1		Event output (2a) Ev1, Ev2 Contact capacity: 240V AC 1A/resistive load	
	2		Event output (Ev1) + Heater break alarm (with CT30A)	Note: Available only when control output (1) is Y or P is selected.
	3		Event output (Ev1) + Heater break alarm (with CT50A)	
ANALOG OUTPUT (OPTION)	0		None	
	3		Voltage: 0~10mV DC, Output resistance: 10Ω	
	4		Current: 4~20mA DC, Load resistance: 300Ω max.	
	6		Voltage: 0~10V DC, Load current: 2mA max.	
COMMUNICATION OR SV BIAS (OPTION)	0		None	
	5		RS-485	
	7		RS-232C	
	8		1 point (setting range: -1999~5000), Non-voltage contact or Open collector input Open collector input rating: approx. 5V/1mA max.	
REMARKS	0		Without	
	9		With (Please consult before ordering.)	

Note:

When you purchase a two-output type controller and use it in a one output capacity, larger overshooting or undershooting may happen as a result of integral operation. Therefore, we recommend you to choose a one-output type.

The cause of the above-mentioned problem is that the positional relationship between the proportional band (PB) and the set value (SV) of a one-output type controller differs from that of a two-output type.

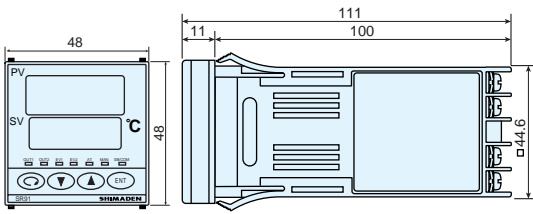
ITEM	CODE		SPECIFICATIONS	
SERIES	SR93-		MPU-Based Auto-Tuning PID Digital Controller, DIN H96 × W96 × D110mm	
	SR94-		MPU-Based Auto-Tuning PID Digital Controller, DIN H96 × W48 × D110mm	
INPUT	8	Multi input	Thermocouple: B, R, S, K, E, J, T, N, PLII, Wre5-26 {U, L (DIN 43710)}	
			R.T.D.: Pt100Ω / JPt100Ω	
			Voltage: -10~10, 0~10, 0~20, 0~50, 10~50, 0~100mV DC	
	4		Current (mA): 0~20, 4~20mA DC	For voltage and current input: Scaling Possible Range: -1999~9999 Span: 10~5000 Note: Inverse scaling is not possible
	6		Receiving impedance: 250Ω	
			Voltage (V): -1~1, 0~1, 0~2, 0~5, 0~10V DC Load resistance: 600Ω max.	
CONTROL OUTPUT (1)	Y-		Contact: 1a, Contact capacity: 240V AC 2A/resistive load Proportional cycle: 1~120 sec.	
	I-		Current: 4~20mA DC Load resistance: 600Ω max.	
	P-		SSR drive voltage: 12V±1.5V DC/30mA max. Proportional cycle: 1~120 sec.	
	V-		Voltage: 0~10V DC Load current: 2mA max.	
CONTROL OUTPUT (2) (OPTION)	N-		None	
	Y-		Contact: 1a, Contact capacity: 240V AC 2A/resistive load Proportional cycle: 1~120 sec.	
	I-		Current: 4~20mA DC Load resistance: 600Ω max.	
	P-		SSR drive voltage: 12V±1.5V DC/30mA max. Proportional cycle: 1~120 sec.	
	V-		Voltage: 0~10V DC Load current: 2mA max.	
POWER SUPPLY	90-		100~240V AC±10%, 50/60Hz	
	08-		24V AC/DC±10%, 50/60Hz	
EVENT OUTPUT/ HEATER BREAK ALARM (OPTION)	0		None	
	1		Event output (2a) Ev1, Ev2 Contact capacity: 240V AC 1A/resistive load	
	2		Event output (Ev1) + Heater break alarm (with CT30A)	Note: Available only when control output (1) is Y or P is selected.
	3		Event output (Ev1) + Heater break alarm (with CT50A)	
OPTION		00	None	
	Analog output	30	Voltage: 0~10mV DC, Output resistance: 10Ω	
		40	Current: 4~20mA DC, Load resistance: 300Ω max.	
		60	Voltage: 0~10V DC, Load current: 2mA max.	
	Set value bias (S V bias)	08	1 point (setting range: -1999~5000), Non-voltage contact or Open collector input Open collector input rating: approx. 5V/1mA max.	
		38	Voltage: 0~10mV DC, Output resistance: 10Ω SV bias 1 point	
	Analog output + Set value bias (S V bias)	48	Current: 4~20mA DC, Load resistance: 300Ω max. SV bias 1 point	
		68	Voltage: 0~10V DC, Load current: 2mA max. SV bias 1 point	
		05	RS-485	
Communication	07	RS-232C		
REMARKS	0	Without		
	9	With (Please consult before ordering.)		

Note:

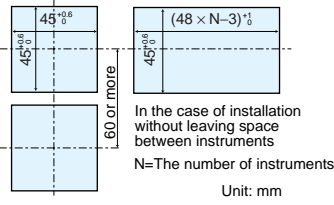
When you purchase a two-output type controller and use it in a one output capacity, larger overshooting or undershooting may happen as a result of integral operation. Therefore, we recommend you to choose a one-output type.

The cause of the above-mentioned problem is that the positional relationship between the proportional band (PB) and the set value (SV) of a one-output type controller differs from that of a two-output type.

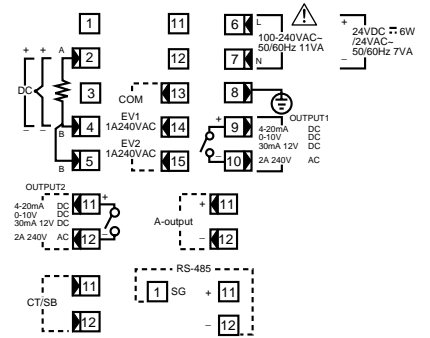
External Dimensions



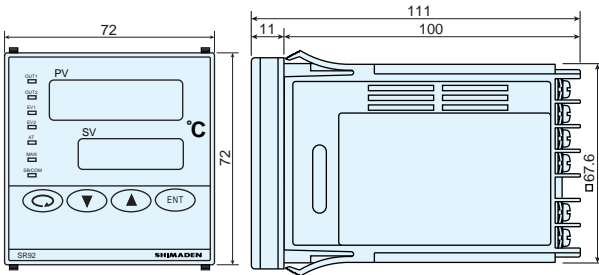
Panel Cutout



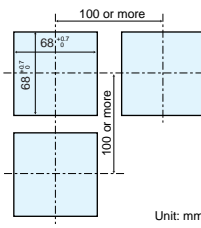
Terminal Arrangement



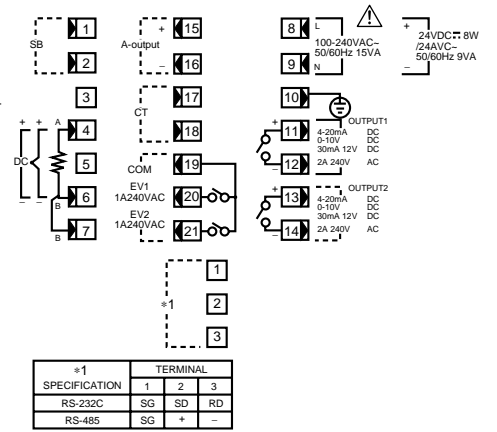
External Dimensions



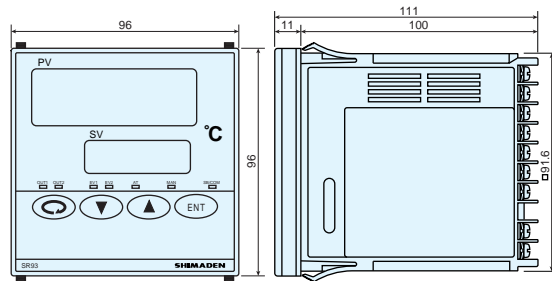
Panel Cutout



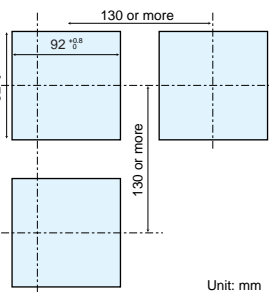
Terminal Arrangement



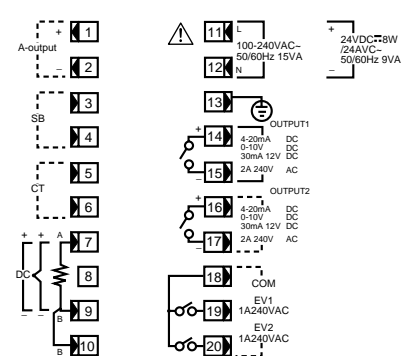
External Dimensions



Panel Cutout

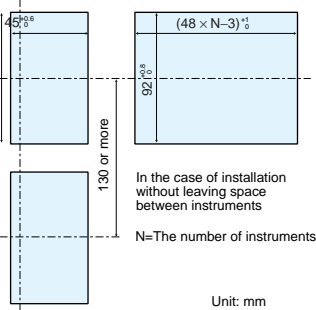
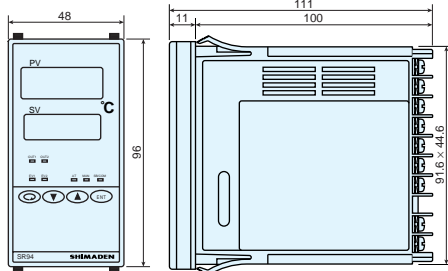


Terminal Arrangement (Common)



• SR93

• SR94



*1	TERMINAL		
	1	2	3
RS-232C	SG	SD	RD
RS-485	SG	+	-

Input Type	Code	Measuring range (°C)	Measuring range (°F)	
Multi-input Thermo-couple	B *1	01	0 ~ 1800	0 ~ 3300
	R	02	0 ~ 1700	0 ~ 3100
	S	03	0 ~ 1700	0 ~ 3100
	K	04 *2	-199.9 ~ 400.0	-300 ~ 750
	K	05	0.0 ~ 800.0	0 ~ 1500
	K	06	0 ~ 1200	0 ~ 2200
	E	07	0 ~ 700	0 ~ 1300
	J	08	0 ~ 600	0 ~ 1100
	T	09 *2	-199.9 ~ 200.0	-300 ~ 400
	N	10	0 ~ 1300	0 ~ 2300
	PLII *3	11	0 ~ 1300	0 ~ 2300
	WRe5-26 *4	12	0 ~ 2300	0 ~ 4200
	U *5	13 *2	-199.9 ~ 200.0	-300 ~ 400
	L *5	14	0 ~ 600	0 ~ 1100
R.T.D.	Pt100	31	-200 ~ 600	-300 ~ 1100
		32	-100.0 ~ 100.0	-150.0 ~ 200.0
		33	-50.0 ~ 50.0	-50.0 ~ 120.0
		34	0.0 ~ 200.0	0.0 ~ 400.0
	Jpt100	35	-200 ~ 500	-300 ~ 1000
		36	-100.0 ~ 100.0	-150.0 ~ 200.0
		37	-50.0 ~ 50.0	-50.0 ~ 120.0
		38	0.0 ~ 200.0	0.0 ~ 400.0
Voltage (mV)	-10 ~ 10	71	Scaling possible Refer to the information on the right.	
	0 ~ 10	72		
	0 ~ 20	73		
	0 ~ 50	74		
	10 ~ 50	75		
	0 ~ 100	76		
Voltage (V)	-1 ~ 1	81		
	0 ~ 1	82		
	0 ~ 2	83		
	0 ~ 5	84		
	1 ~ 5	85		
	0 ~ 10	86		
Current (mA)	0 ~ 20	91		
	4 ~ 20	92		

Owing to scaling function, any measuring range can be set within the following range.

Scaling range: -1999 to 9999 counts
Span: 10 to 5000 counts on condition of lower side < higher side

*1 Thermocouple:
B: Accuracy guarantee not applicable to 400°C (752°F) and below.

*2 Thermocouple
K, T, U: Accuracy of those whose readings are below -100°C is ±0.7% FS

*3 Thermocouple
PLII: Platinel

*4 Thermocouple
Wre5-26: A product of Hoskins

*5 Thermocouple
U, L: DIN 43710

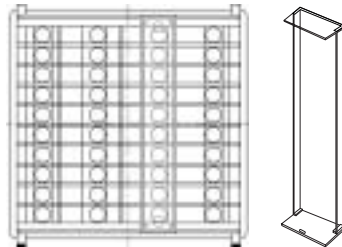
NOTE:
Unless otherwise specified, the measuring range will be set as listed below during the shipment from the factory.

Input	Specification/Rating	Measuring range
Multi-input	K thermocouple	0.0 ~ 800.0°C
Voltage (V)	0 ~ 10V DC	0.0 ~ 100.0
Current (mA)	4 ~ 20mA DC	0.0 ~ 100.0

TERMINAL COVER (AVAILABLE SEPARATELY)

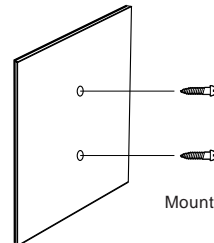
Model	Mounting
SR91 QCR001	One-touch mount
SR92 QCR002	One-touch mount
SR93 QCR003	One-touch mount

Material/Appearance: PVC/transparent
Thickness: 1 mm



Model	Mounting
SR94 QCR004 (Individual mounting)	Plus screw, B tight, M2.3 × 6 - 2 pcs.
QCR005 (Tight-lock coupling)	Plus screw, B tight, M2.3 × 6 - 4 pcs.

Material/Appearance: PVC/transparent Thickness: 1 mm



Mounting: 2+B tight pan-head screws
M2.3 × 6mm

Warning

- The SR90 series is designed for the control of temperature, humidity and other physical values of general industrial equipment. (It is not to be used for any purpose which regulates the prevention of serious effects on human life or safety.)

Caution

- If the possibility of loss or damage to your system or property as a result of failure of any part of the process exists, proper safety measures must be made before the instrument is put into use so as to prevent the occurrence of trouble.



ISO 9001

(The contents of this brochure are subject to change without notice.)

Temperature and Humidity Control Specialists
SHIMADEN CO., LTD.
Head Office: 2-30-10 Kitamachi, Nerima-Ku, Tokyo 179-0081 Japan
Phone: +81-3-3931-7891 Fax: +81-3-3931-3089
E-MAIL: exp-dept@shimaden.co.jp URL: http://www.shimaden.co.jp

Distributed in New Zealand by:
Intech INSTRUMENTS LTD
Christchurch Auckland www.intech.co.nz
Ph: +6433430646 098271930
Fx: +6433430649 098271931 sales@intech.co.nz