



Intech INSTRUMENTS LTD

July 2008

Historical July



3rd July 1971

Jim Morrison, lead singer of the American rock group The Doors is found dead in Paris. He was 27.



20th July 1952

Czech Emil Zatopek wins the 10,000 metres at the Helsinki Olympics. He would go on to also win both the 5000 metres and the Marathon within 8 days.



14th June 1946

Prince Charles & Lady Diana Spencer are Married at St. Paul's Cathedral, City of London.

Intech INSTRUMENTS LTD

Paperless Chart Recorders

Intech have been successfully involved with plant SCADA packages for some time utilising the well known **MicroScan** software and **2100 series** Multiplexer units.

New to the market place is the Intech **2300 series** of I/O remote stations.

2300 series units provide a host of options for end users. Now you'll be able to have a paperless alternative to an old fashioned chart recorder at a very reasonable price.



Intech 2300 series

- ◆ Low Cost I/O
- ◆ MODBUS RTU & MODBUS TCP
- ◆ MicroScan V5 Compatible
- ◆ Programmable Ranges
- ◆ 1.0 kV or greater Isolation.
- ◆ 0.2% Accuracy (12 Bit).
- ◆ Compact DIN rail mount Enclosure
- ◆ LED status indication.
- ◆ Communications Fail Alarm
- ◆ 24VDC Power Supply

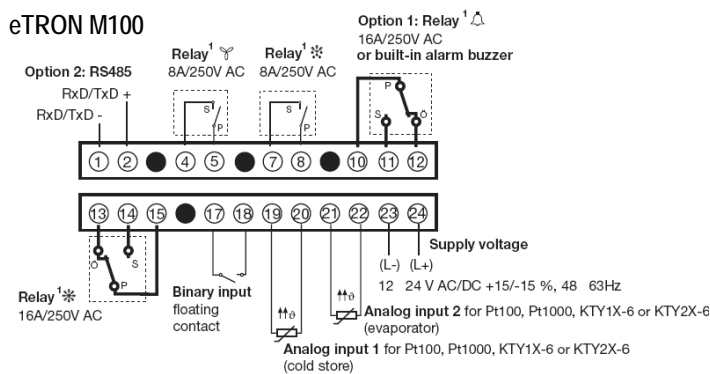


Typical Configuration

Are You Involved with Refrigeration Control?

Our friends in Fulda, Germany keep producing excellent products. The **JUMO eTRON M100** electronic refrigeration controller has arrived and technically speaking its way ahead of other units on the market.

eTRON M100



- ◆ 16A Cooling Relays
- ◆ 8A Fan / Defrost Relays
- ◆ Customised Linearization
- ◆ Real Time Clock
- ◆ Data Logger
- ◆ Alarm Generation
- ◆ 2 Analog Inputs (Temp)
- ◆ Operating Hours Counter
- ◆ Service Counter
- ◆ RS 485 Interface Capability
- ◆ Meets EN12830 & EN13485



JUMO eTRON M100: Quality

+



JUMO Midas SI: Quality

SHIMADEN

TRIMTEC
INDUSTRIES

BC BRAINCHILD

JUMO

Intech Instruments Ltd
 59 Mandeville Street
 Riccarton
 Christchurch 8011
 New Zealand
 Phone: +64 (3) 343 0646
 Fax: +64 (3) 343 0649

Intech Instruments Ltd
 PO Box 8460
 Havelock North 4157
 Phone: +64 (6) 875 1919
 Fax: +64 (6) 875 1920
 E-mail: sales@intech.co.nz
www.intech.co.nz



- ◆ New Zealand owned & operated
- ◆ Service & sales facilities
- ◆ 25 years in the industry
- ◆ Experience you can rely on



Current to Pressure (I/P) Transducers

Pneumatic control systems once ruled process plants and for good reason - they are extremely reliable. Current to pressure (I/P) transducers are versatile devices designed for control applications that require a high degree of accuracy repeatability. The other key benefit of pneumatically operated control systems is that they are very economical.



- Applications:-**
- ◆ Valve Actuators / Positioners
 - ◆ Damper & Louver Actuators
 - ◆ Final Control Elements
 - ◆ Relays & Air Cylinders
 - ◆ Web Tensioners, Clutches & Brakes

ControlAir 500 units (left) are used in a host of industries

Intech Environmental Monitoring Stations

There are a host of meteorological systems on the market but there are few that are as capable as the units supplied by Intech Instruments. All of Intech's Weather Sensor Transmitters are capable of providing a simple analogue 4-20mA signal that can be easily interfaced to existing SCADA packages or PLC's.



Wind Speed (Anemometer)

4-20mA: Intech Weather Sensors



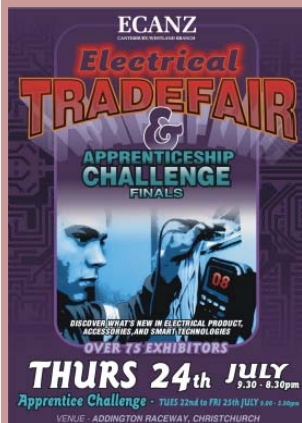
Wind Direction



Solar Radiation (Pyranometer)



Air Pressure



See you there!



He should have called Intech.

But if a simple data logger is all you're looking for, why not chose almost identical sensors and feed the information into a TruTrack Data logger?



GP-MC (Left) takes up to 15 channels*

GP-HR (Right) accepts 4 inputs

*With RS485 expansion

