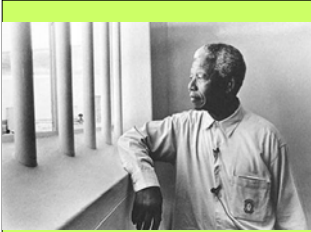




Intech INSTRUMENTS LTD

February 2009



11th February, 1990

Leading anti-apartheid campaigner Nelson Mandela is released from prison in South Africa after 27 years.



23rd February, 1945

After some of the bloodiest battles of WWII, US Marines raise the Stars & Stripes over Iwo Jima.



February 26th, 1977

Diminutive Welsh rugby union winger, Shane Williams is born in Swansea.



Cost Saving I/O

Intech's humble multiplexer units have been saving end users and integrators money for years. From time to time we like to remind people of what they might be missing out on:-

- ◆ 16 Universal Analogue Inputs
- ◆ Each Input Individually Selected & Scaled
- ◆ 16 Bit Resolution
- ◆ Differential Input for T/C, mV, V & mA

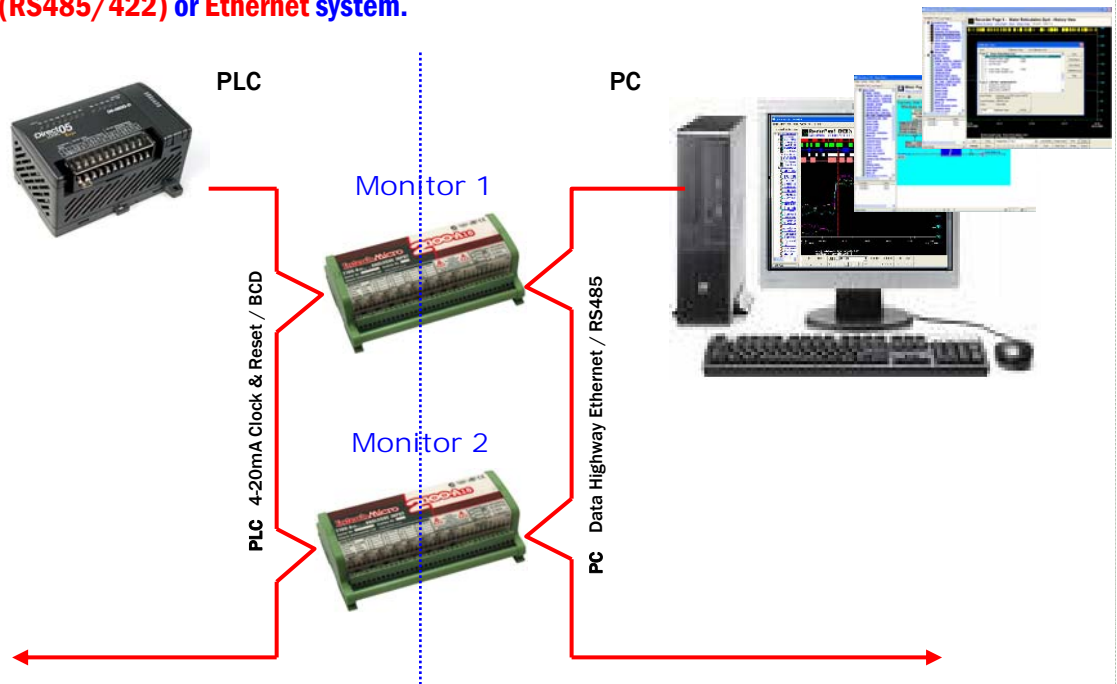
- ◆ T/C: B, E, K, J, N, R, S, T
- ◆ RTD: 0~225°C to -200~850°C
- ◆ mV: 0~25mV to ±500mV
- ◆ V: 0~1V to ±15V
- ◆ mA: 0~1mA to ±100mA

- ◆ 2 Analogue Outputs
- ◆ 4 Digital, Isolated, Optocoupler Inputs
- ◆ 2 Digital, Isolated, Relay Outputs



2100 Series (above) : A very inexpensive way to get analogue signals into PLC's

There are many ways to communicate with PLC devices. With MODBUS TCP/IP & RTU protocols on board as standard, the 2100-A16 can happily sit on your data highway (RS485/422) or Ethernet system.



Few realise that 2100-A16 units can communicate with PLC's and PC's simultaneously.



Intech Instruments Ltd
 59 Mandeville Street
 Riccarton
 Christchurch 8011
 New Zealand
 Phone: +64 (3) 343 0646
 Fax: +64 (3) 343 0649

Intech Instruments Ltd
 PO Box 8460
 Havelock North 4157
 Phone: +64 (6) 875 1919
 Fax: +64 (6) 875 1920
 E-mail: sales@intech.co.nz
www.intech.co.nz



Obama & Intech: Very Similar Ideals.



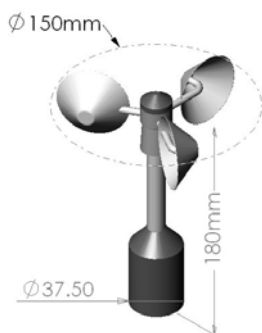
For Intech, turn right

- ◆ New Zealand owned & operated
- ◆ Service & sales facilities
- ◆ 25 years in the industry
- ◆ Experience you can rely on

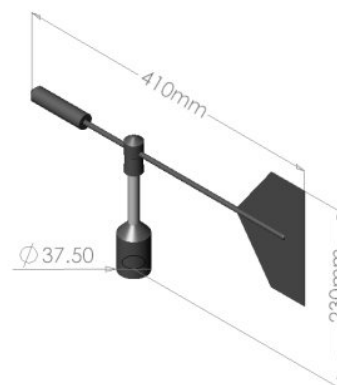


Intech Environmental Sensors

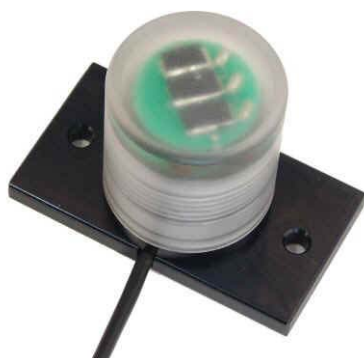
The environment is an increasingly important factor in day to day living. Intech have some pretty useful weather sensors available and the really nice thing is—they are all 4-20mA signal devices.



WS-CL Wind speed (3 or 6 cup) - 4-20mA



WD-CL Wind Direction - 4-20mA



LE-CL Solar Radiation - 4-20mA



LPN-DP-BAR Atmospheric Pressure - 4-20mA

Other standard 4-20mA sensors:-

- ◆ H-CL (Humidity)
- ◆ T-CL (Temperature)
- ◆ THP-CL (Temp & Humidity)

Mounting options:-

- ◆ Sensor base plate
- ◆ L-Bar (50mm or 25mm Pipe mount)
- ◆ T-Bar (50mm or 25mm Pipe mount)



A fully armed Weather Station