



December 2007

Involved with compressors? You need to read this.

Historical December



7th September 1941

The imperial Japanese navy launches a devastating attack on The US Pacific Fleet based at Pearl Harbor, Hawaii.



14th December 1911

Norwegian Roald Amundsen, becomes the first man to reach the South Pole - 35 days ahead of British explorer Captain Scott who would later perish, on his return from the South Pole along with the rest of his ill fated team .



30th December 1975

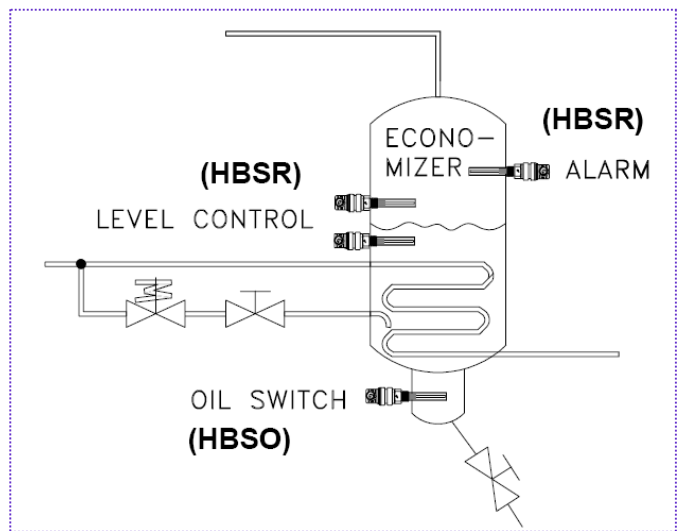
Eldrick Tiger Woods born in Cypress California to Earl & Kultida.

Compressors as used in the refrigeration business can be very expensive pieces of equipment. One of the most common issues that causes problems relates to refrigerant & oil levels within the refrigeration systems.

Many compressor units are designed with a simple sight glass to guide engineers but this can be misleading. Being able to differentiate oil and refrigerant can be a tricky business and not one that any engineer would wish mistake - it might cost you or your client a compressor.



HBSR (above) and HBSO (below)



HB Products from Denmark have designed the HBSO & HBSR switches - specifically designed for the refrigeration sector by refrigeration engineers.

HBSR: Switches on when refrigerant liquid is present, but will not react on oil
HBSO: Switches on when oil is present, but will not react on refrigerant liquid (except CO2).

Highly successful with US and European end users, these 'easy to install', simple devices are unique to the industry by their operation. HBSO & HBSR switches are proving to be a unit well worth investing in.

New Intech Product Release - '2300 Series' I/O Remote Stations

To meet industry demands, Intech have released the 2300 series



Smart Choice: 2300 Series

- ◆ Low Cost I/O Remote Stations
- ◆ MODBUS RTU with MODBUS TCP option
- ◆ MicroScan V5 Compatible - Seamless Integration
- ◆ Programmable Ranges
- ◆ 1.0 kV or greater Isolation.
- ◆ 0.2% Accuracy (12 Bit).
- ◆ Compact DIN rail mount Enclosure
- ◆ LEDs indicate I/O, comms and power supply status.
- ◆ Comms Fail Alarm
- ◆ Power Supply: 24V DC

Intech Instruments Ltd
59 Mandeville Street
Riccarton
Christchurch 8011
New Zealand
Phone: +64 (3) 343 0646
Fax: +64 (3) 343 0649

Intech Instruments Ltd
PO Box 8460
Havelock North 4157
Phone: +64 (6) 875 1919
Fax: +64 (6) 875 1920
E-mail: sales@intech.co.nz
www.intech.co.nz

The team at Intech Instruments would like to wish you all a very safe, merry Christmas and a Happy New Year.



Claus: Allegedly Uses Intech.



Intech are heavily involved in the wine industry.

The Intech Difference

- ◆ New Zealand owned & operated
- ◆ Christchurch, Auckland, Hawkes Bay
- ◆ Service & sales facilities
- ◆ 25 years in the industry
- ◆ Experience you can rely on
- ◆ We stock it - so you won't wait.



JUMO Wtrans - Wireless Temperature Measurement For Industrial Applications

Following last months edition the JUMO Wtrans received a lot of attention so we thought we'd mention it again with some relevant details:-



- ◆ Range: 300 metres (open)
- ◆ Frequency: ISM Band 915 MHz
- ◆ Electronically tagged transmitters
- ◆ Temperature range: -30 to +260°C
- ◆ IP67 weather protection (transmitter)
- ◆ Up to 16 probes per wireless receiver

The advantages:-

- ◆ No signal cables necessary
- ◆ Minimal Installation costs
- ◆ Mobile or fixed installation
- ◆ Electrically certified to DIN EN 61 326-1
- ◆ RS485 comms with MODBUS Protocol



JUMO-Wtrans T01.EC1 receiver

JUMO-Wtrans T01.G1 transmitter

Intech LP Series Transmitters

Intechs familiar LP series transmitters are standard items within almost all industries.

- ◆ Proven in the field
- ◆ Easy to use
- ◆ Excellent specifications
- ◆ LED Indication of loop current
- ◆ 2kV isolation (LPI units)



Intech LP Series: Proven local products